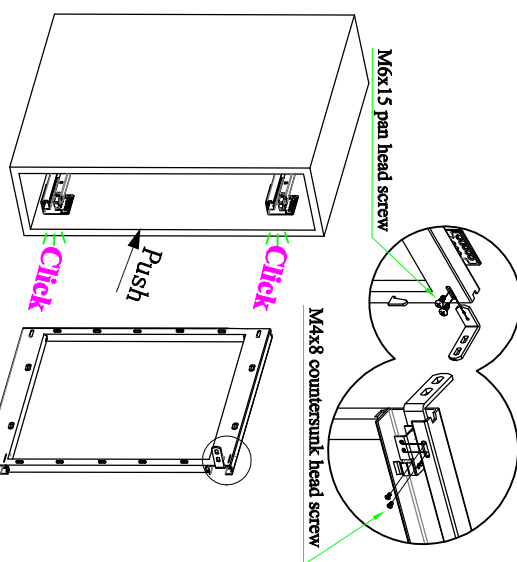
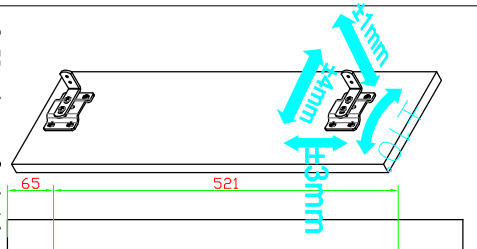
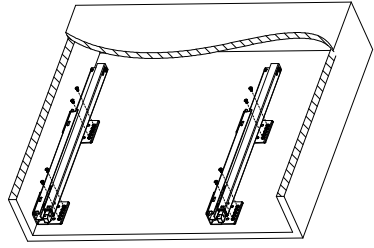
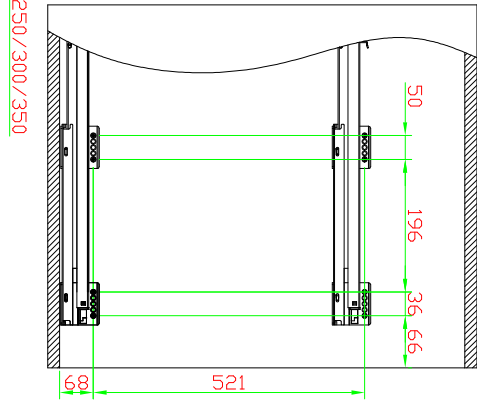
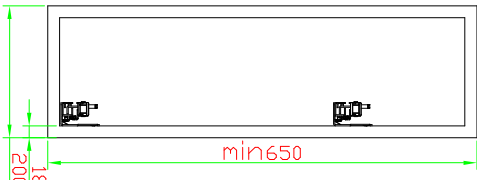
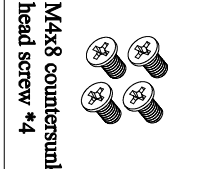
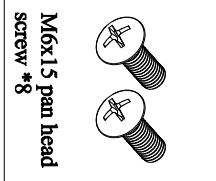
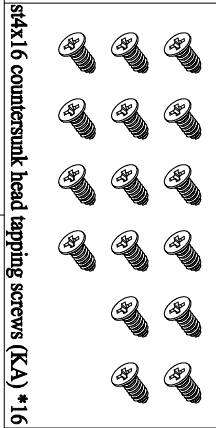
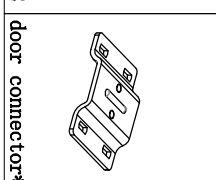
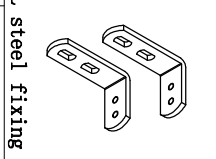
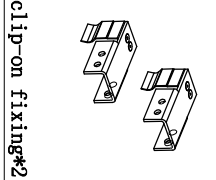
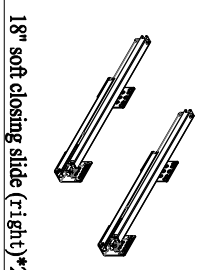
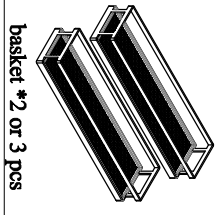
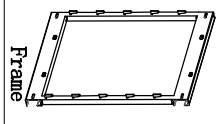


Installation instruction for WB2358SR

List of accessories



1. Use 8 pcs of M4x16 countersunk head tapping screws (KA) to fix two slides on the side plate.

2. Use 4 sets of M4x16 countersunk head tapping screws (KA) to fix two door connecting plates on the door plate.

3. Lock up the clip-on fixing, and install on the slide

Adjust and keep the door and cabinet flat

4. Adjust left and right of the door

5,

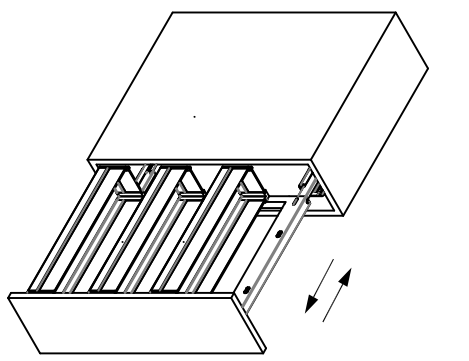
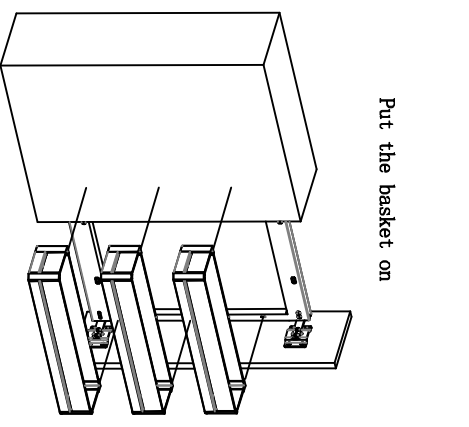
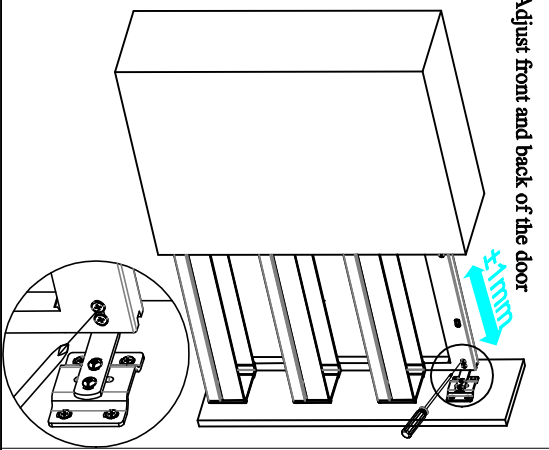
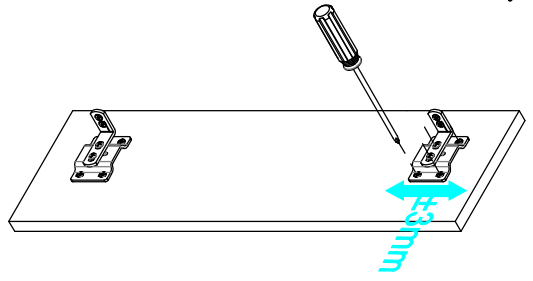
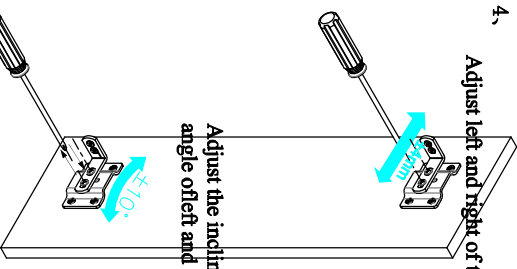
6. Adjust front and back of the door

7,

8,

Adjust the inclination angle offset and right

Put the basket on



Done