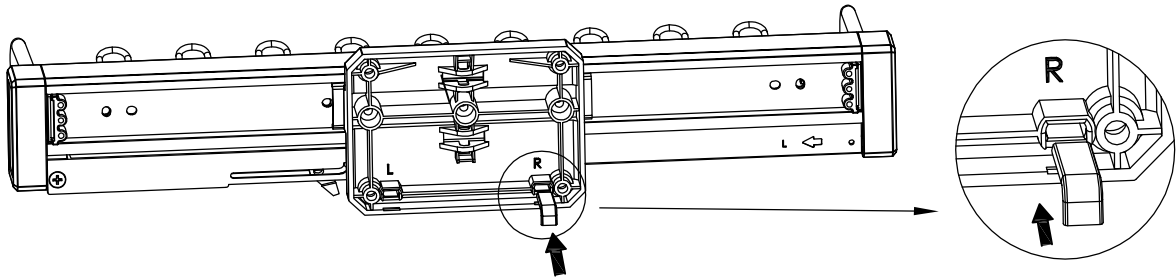
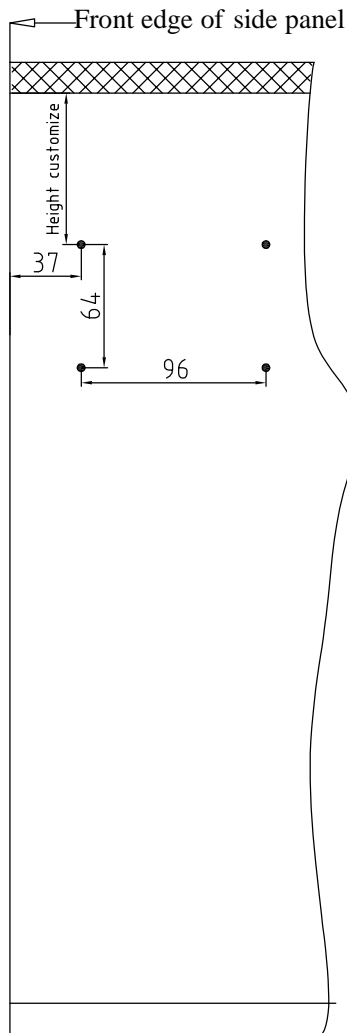
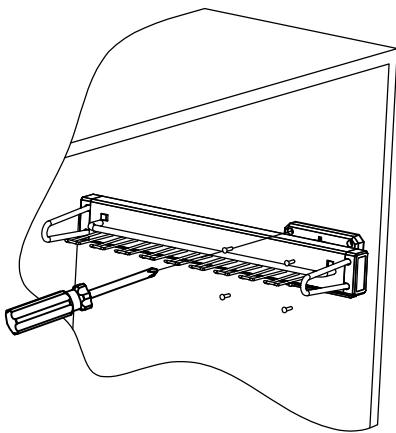


2 Installation of the steel hook

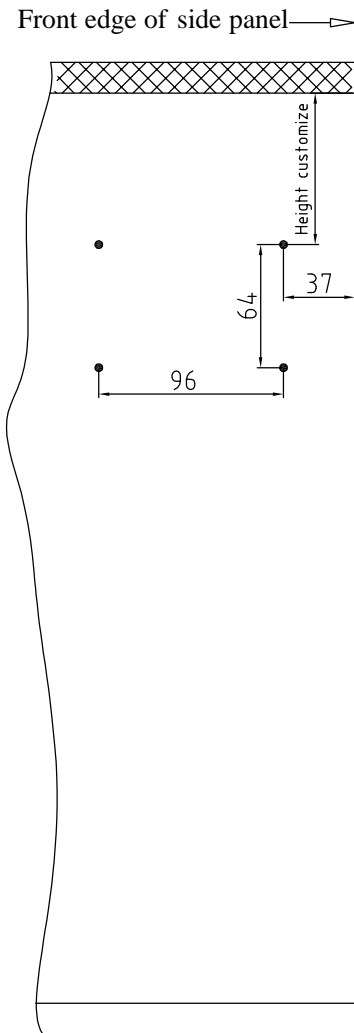
If you want to install the tie rack on the left, please fix the steel hook on the side mark L.
If you want to install the tie rack on the right, please fix the steel hook on the side mark R.



3 Installing tie rack



Left installing hole position



Right installing hole position

Notice:

1. Without soft closing? Pull-out the hanger, then pull-out the damper by hand, then close the hanger.
2. Soft closing no good? Slide no smooth? Check if some inclusion in the slide.
3. Cannot pull out the tie rack? Please assure the plastic base is around the middle position of the slide when fixing the steel hook.