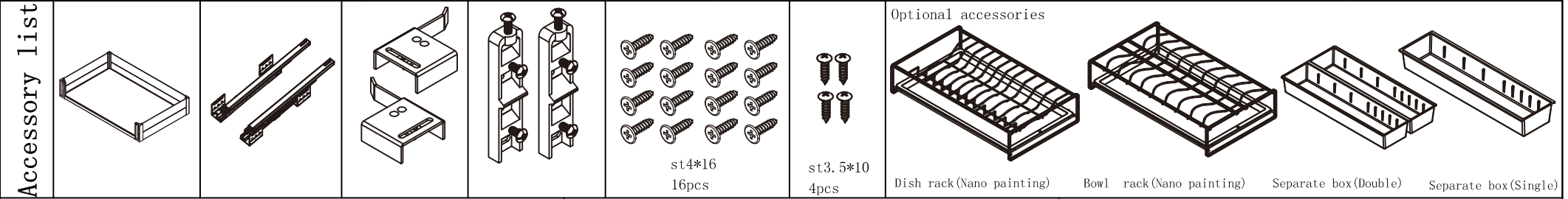


Installation Instruction For WB2352S/WB2353S

Accessory list



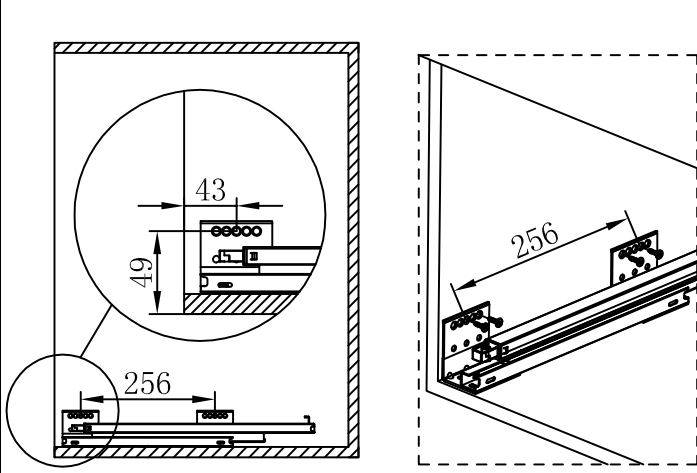
st4*16
16pcs

st3.5*10
4pcs

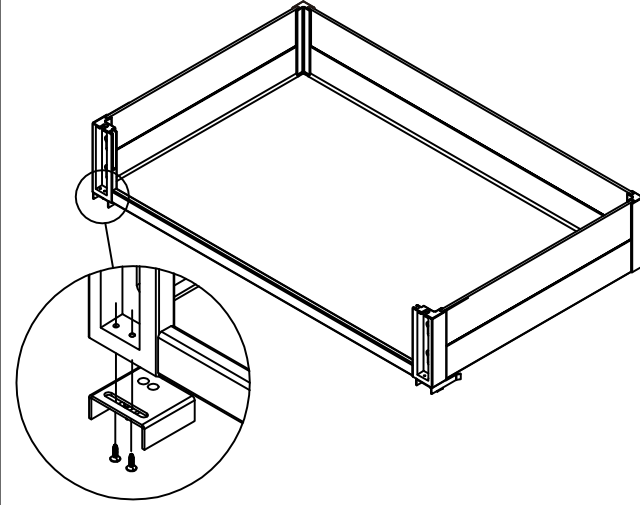
Optional accessories

Dish rack (Nano painting) Bowl rack (Nano painting) Separate box (Double) Separate box (Single)

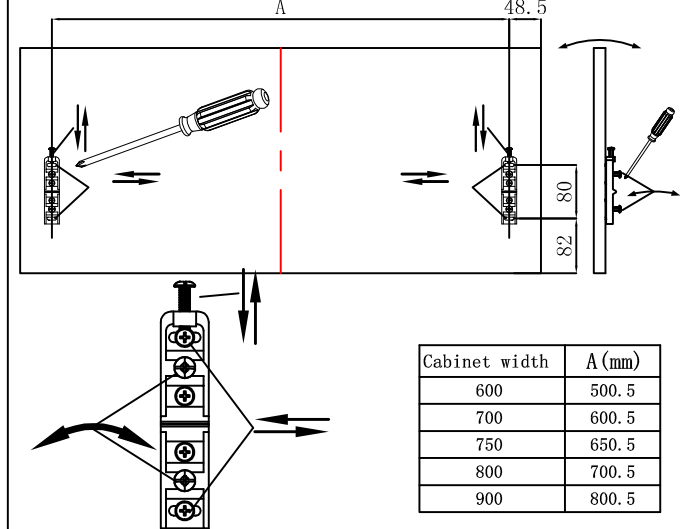
STEPS 1:



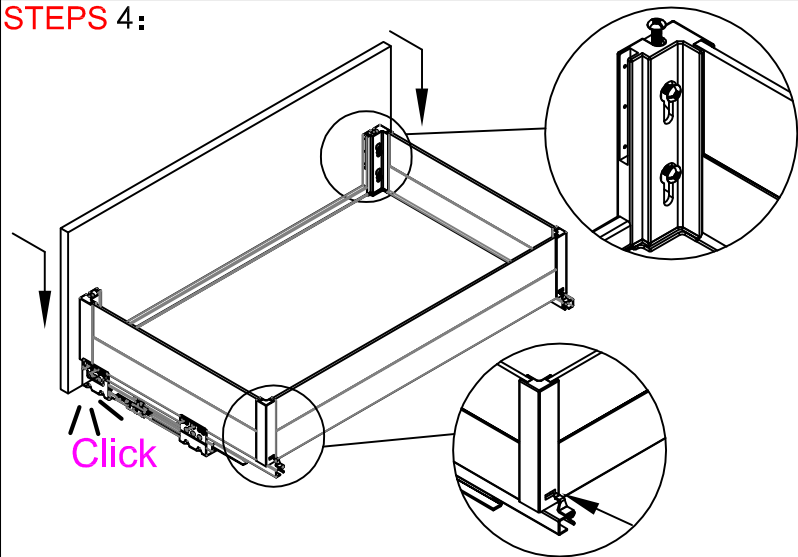
STEPS 2:



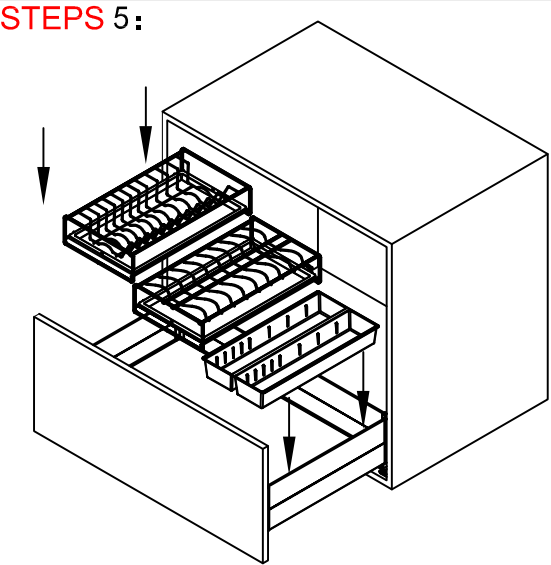
STEPS 3:



STEPS 4:



STEPS 5:



OK

