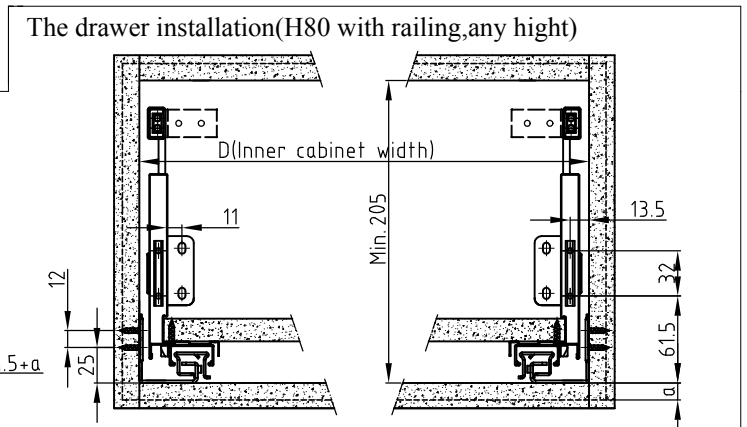
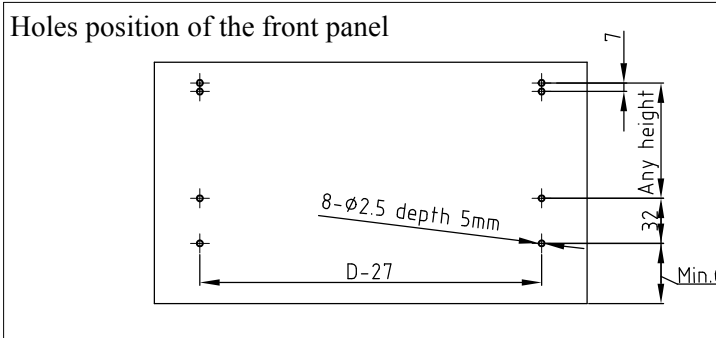
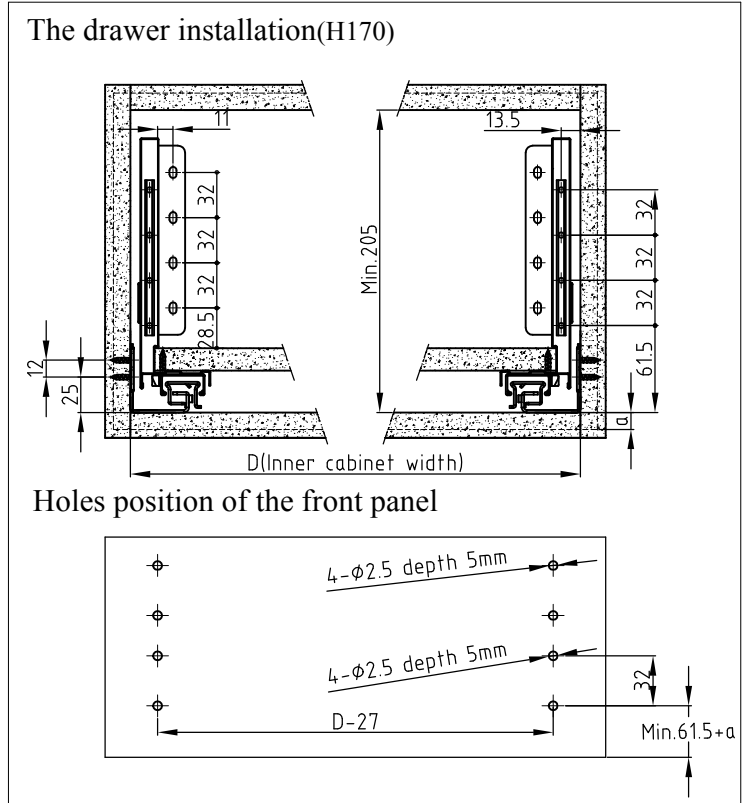
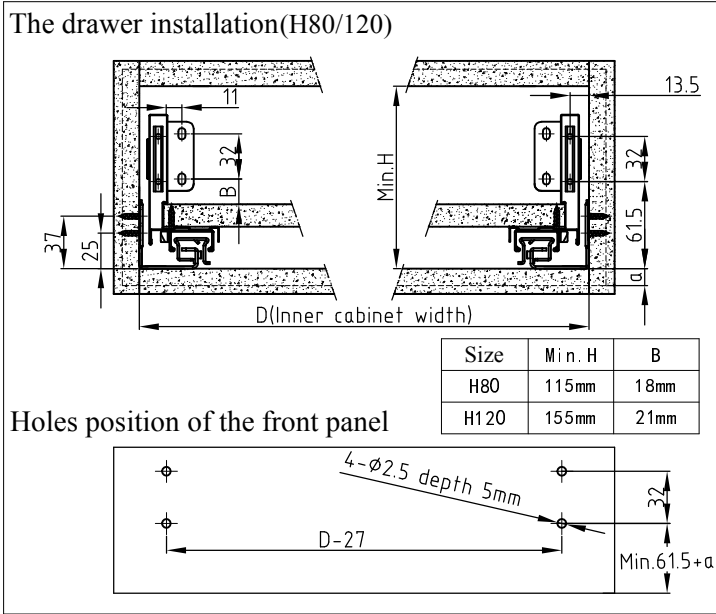
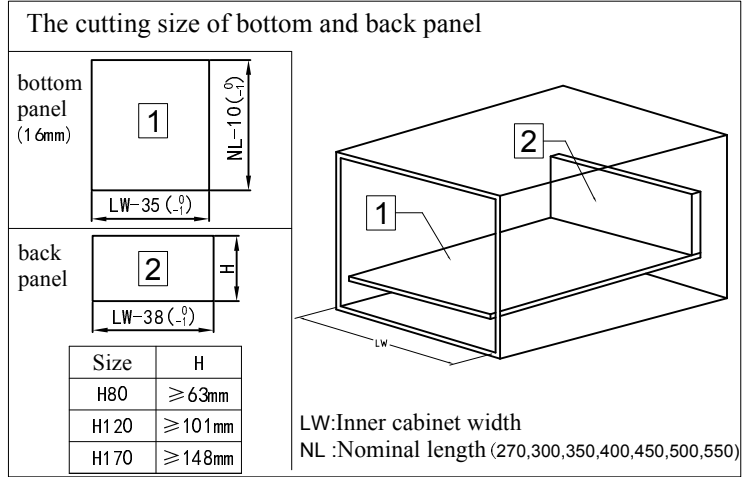
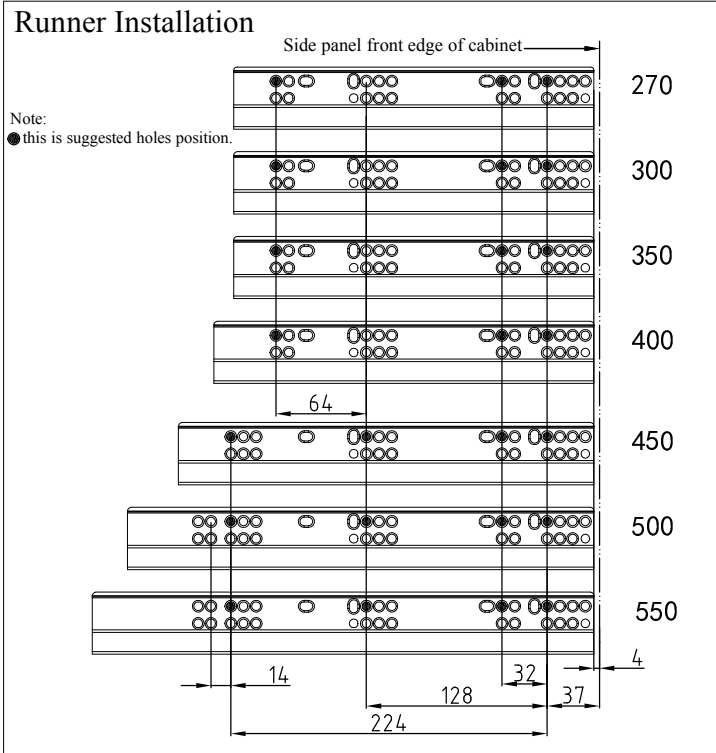
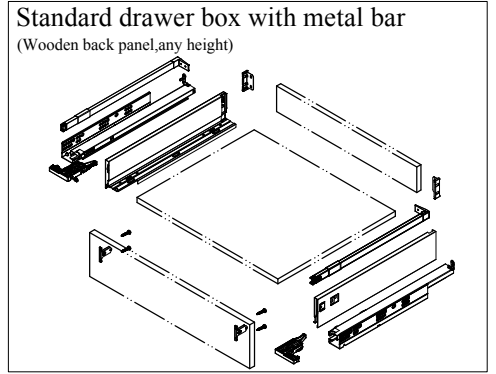
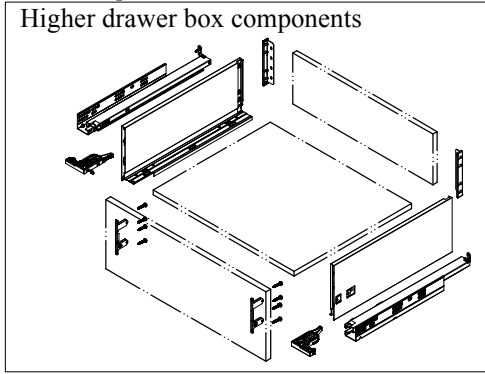
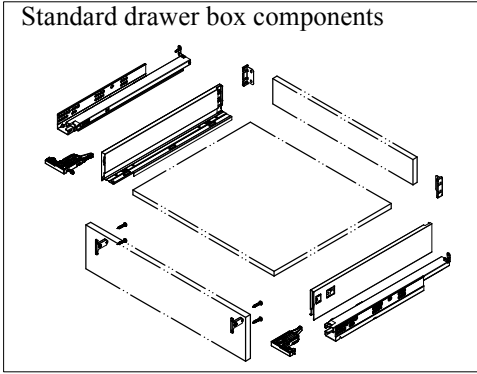
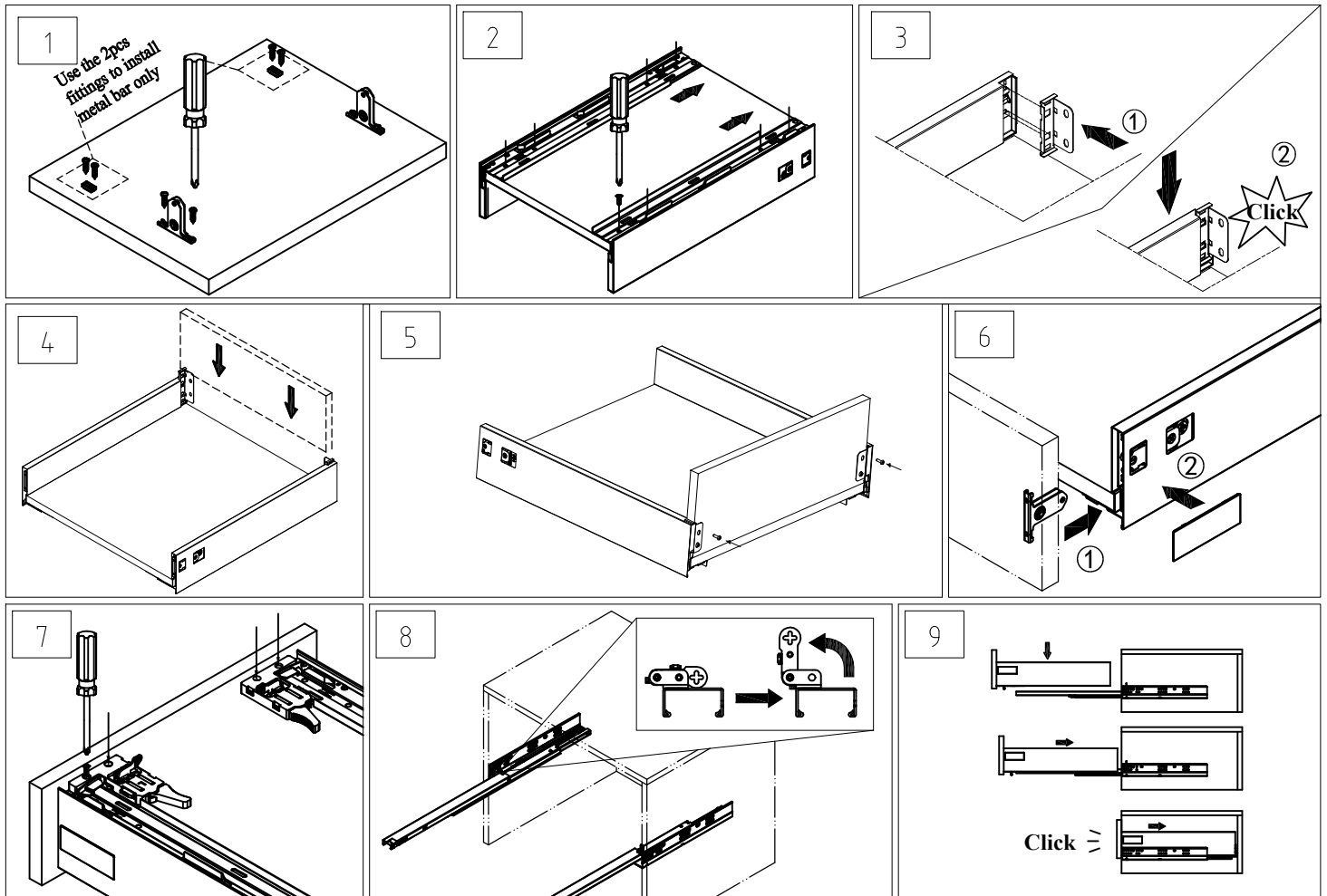


Load capacity of 35kg
Thickness of bottom panel: 16mm

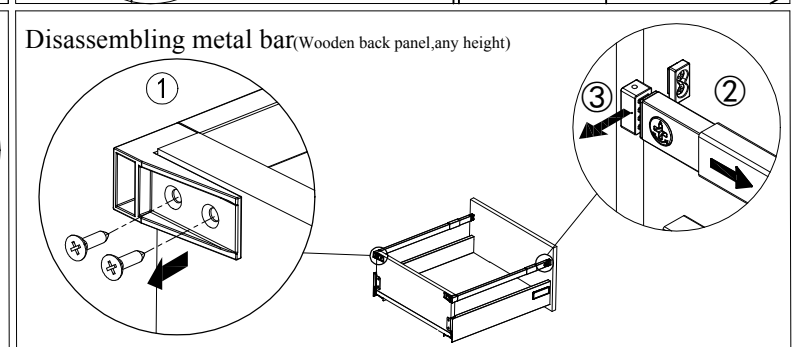
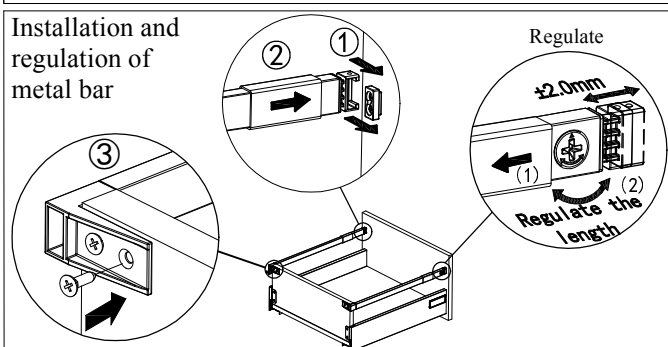
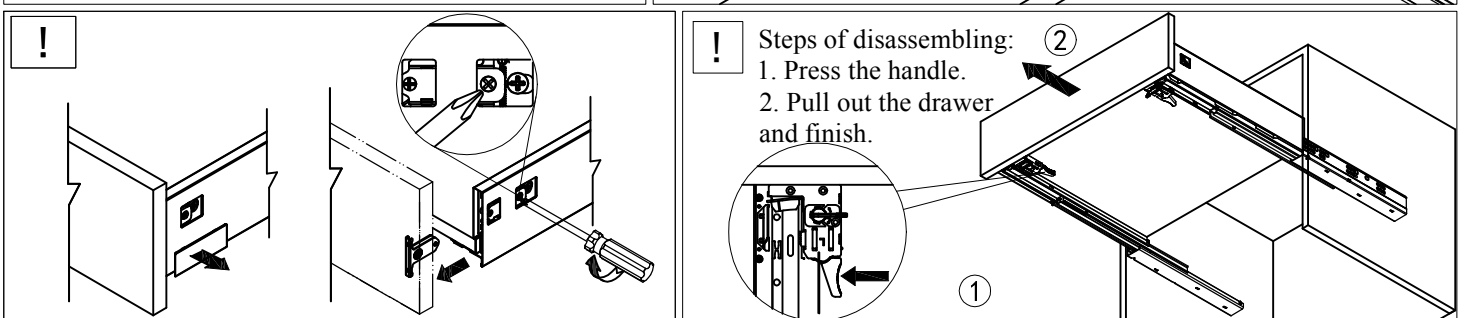
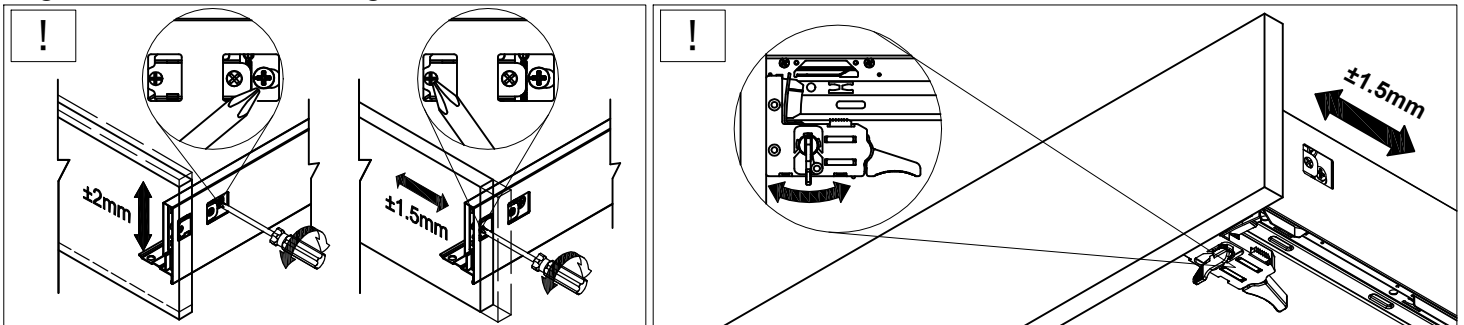
The slim drawer box installation instruction



Drawer installation :



Regulation and disassembling the drawer:



- 1.The runner isn't stable when sliding? Please check if it any bits of wood or sundries on the runner when assembling it.
- 2.The runner isn't sliding well? Please check if cutting size of the bottom and back panel is correct; and check if the bottom and cabinet are in the right position; check if both of the runners are in the same level of front and back, left and right.
- 3.The drawer shakes? Check if the drawer side is installed correctly, if both of the runners are not paralleled, we have to regulate by the oval holes.
- 4.The drawer can't be closed well or the distance of soft-closing is too short? Please check if the drawer side is installed correctly, and check if the distance of the runner to cabinet side edge is correct.
- 5.The drawer is broken during the transportation? During the transportation, please don't put the assembled drawer and cabinet upside down, otherwise it will make the drawer broken.