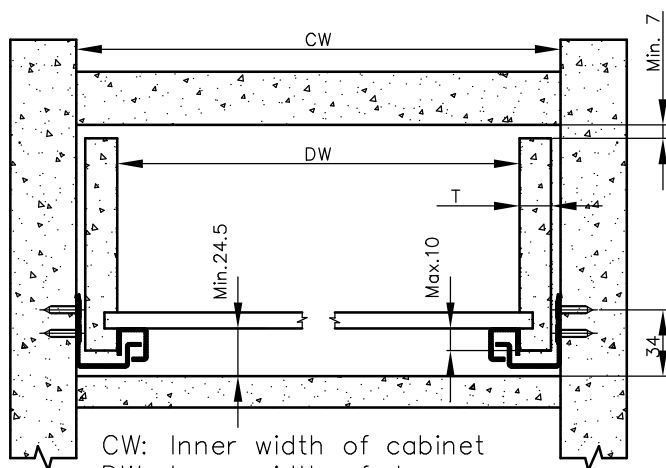


Installation Instruction of Single Extension Concealed Slide

Loading Capacity: 20 KG

Side Board Thickness of drawer : ≤16 mm or 18mm

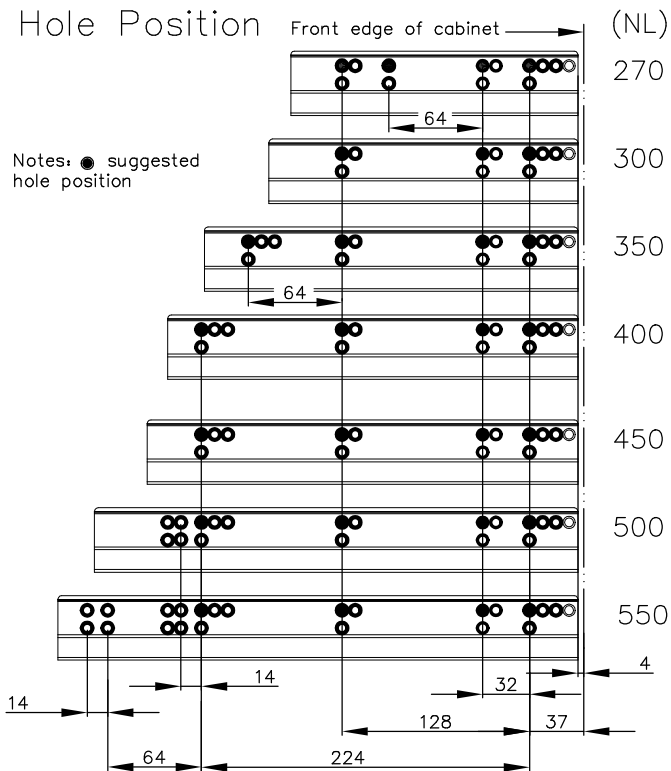
Cabinet Drawing I



CW: Inner width of cabinet
DW: Inner width of drawer
T : Thickness of side board

T	DW	For example
≤16	=CW-42 _{-1.5}	CW=564 and DW=522-523.5
18	=CW-46 _{-1.5}	CW=564 and DW=518-519.5

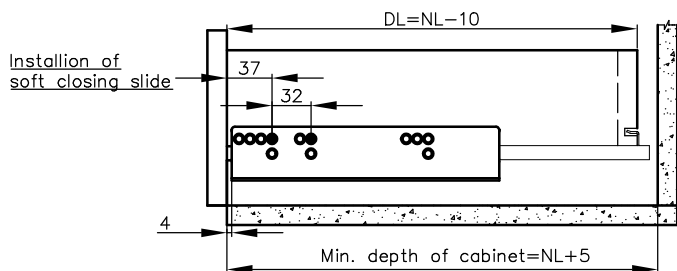
Installation of Hole Position



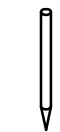
Notes: ● suggested hole position

Cabinet Drawing II

DL: Drawer length
NL: Nominal length



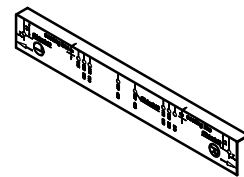
Tools



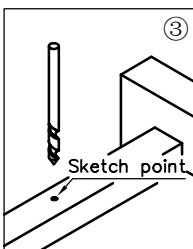
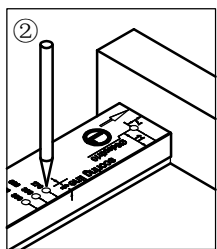
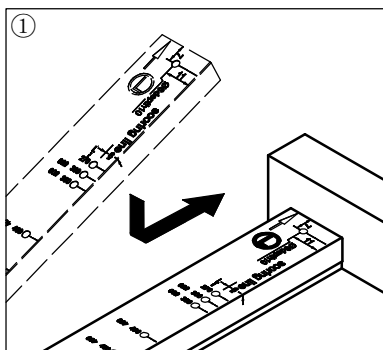
pencil



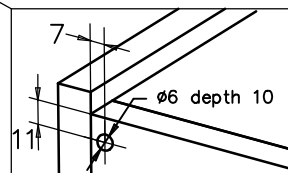
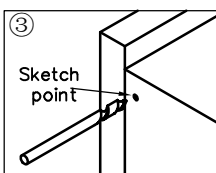
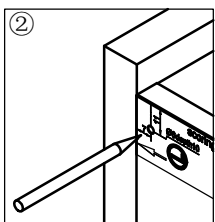
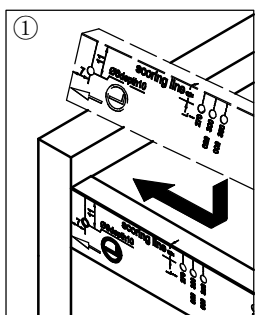
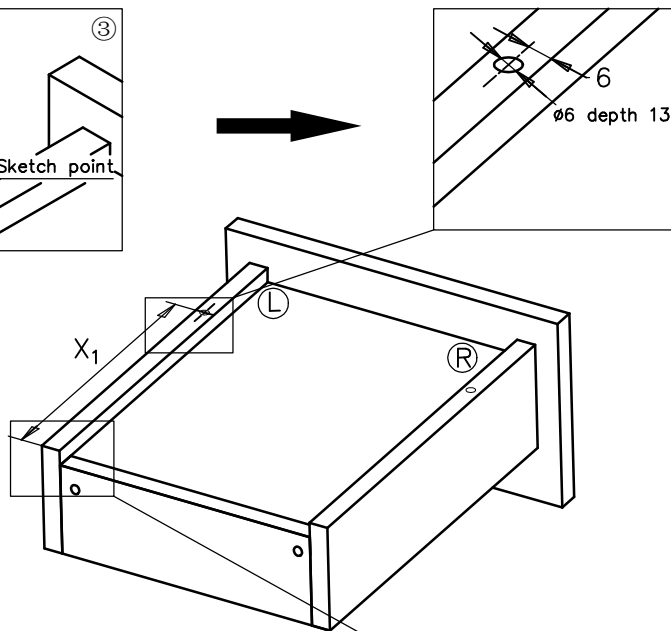
drill $\phi 6$



sketch paper

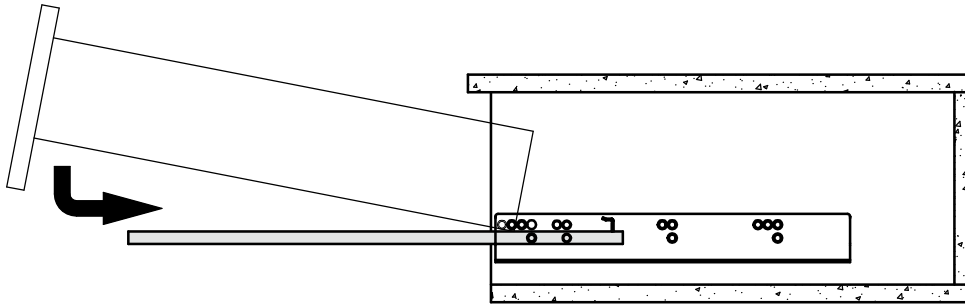


NL	X ₁ (mm)
270	205
300	230
350	275
400	300
450	335
500	360
550	405

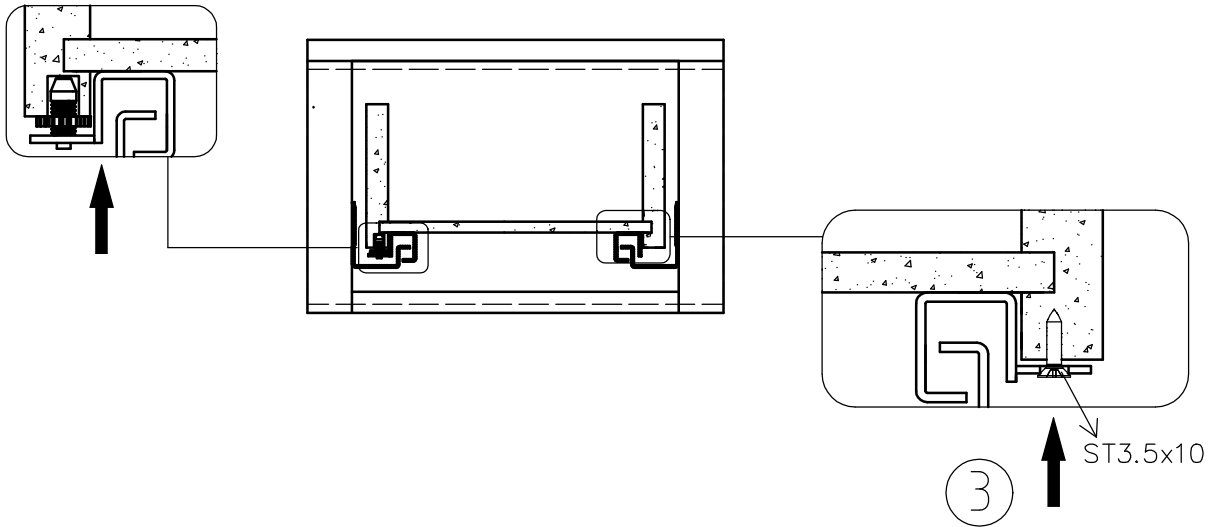


Drawer Installation

①

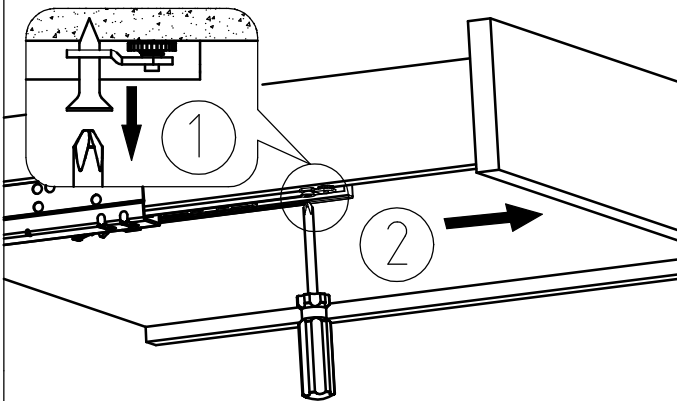


②

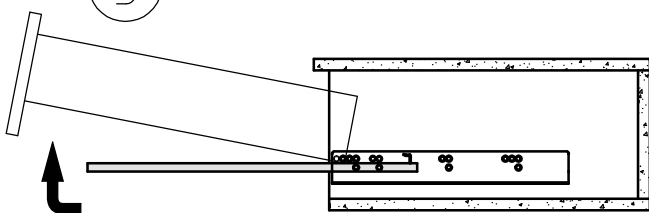


③

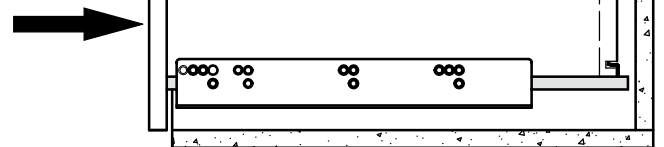
Disassembling



③



④



Notes:

- a) Runner doesn't work steadily or pulse?
Keep slides away from wood chips or other scraps during installation.
- b) Runner doesn't work smoothly?
Make sure cabinet and drawer are up to the standard;
make sure cabinet and drawer are rectangular;
make sure slides at the same level;
- c) The clip-on function lost? Drawer can't close perfectly?
Make sure the slide at the right position on the fore-and-aft direction;
- e) Drawer can't be disassembled?
Make sure clip-on handle is open and locking pin is pull out.