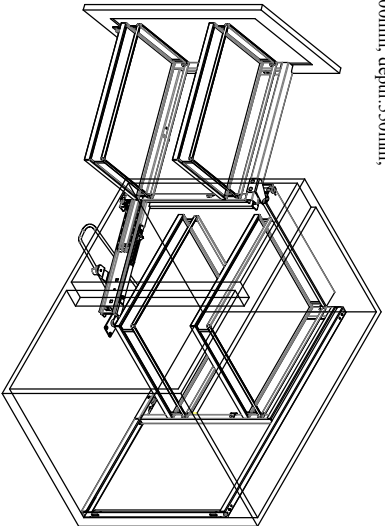
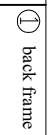

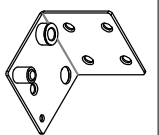

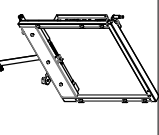
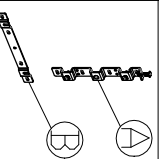


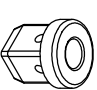
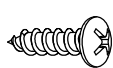
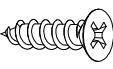




- 1、 Please read the installation manual carefully before install it .
- 2、 The standard width of T-cabinet: 900-1000mm; depth:550mm, height≥600mm; lateral board:16-18mm.



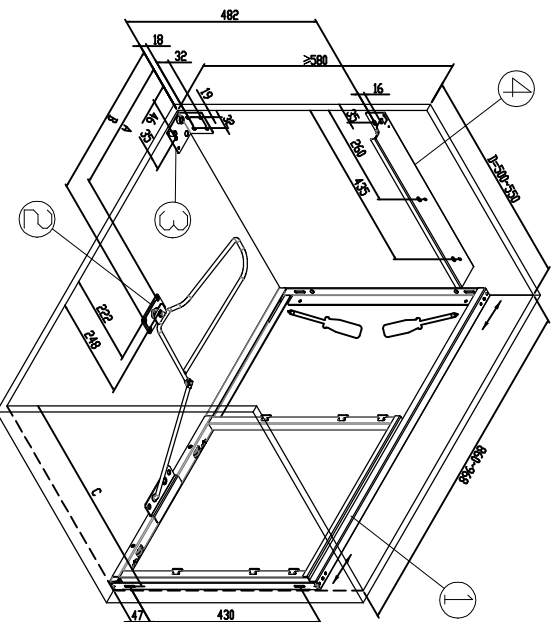
### Accessory Lists

	① back frame	1 set		② revolution pull rod (left)	1 set		③ rotating shaft prop up (left)	1 set		④ side guidance fixed frames (left)	1 set		⑤ revolving lateral pulling frame (left)	1 set		⑥ door integrating plug-in piece	1 set			
	⑦ lateral guidance idler wheel (left)	1 set		⑧ M5×8	2 pcs		⑨ upper rotating shaft plastic	1 pcs		⑩ ST4×14	8 pcs		⑪ ST4×14	20 pcs		⑫ small basket	2 pcs		⑬ big basket	2 pcs
												Optional for basket								

### Installation Steps

#### Step 1:

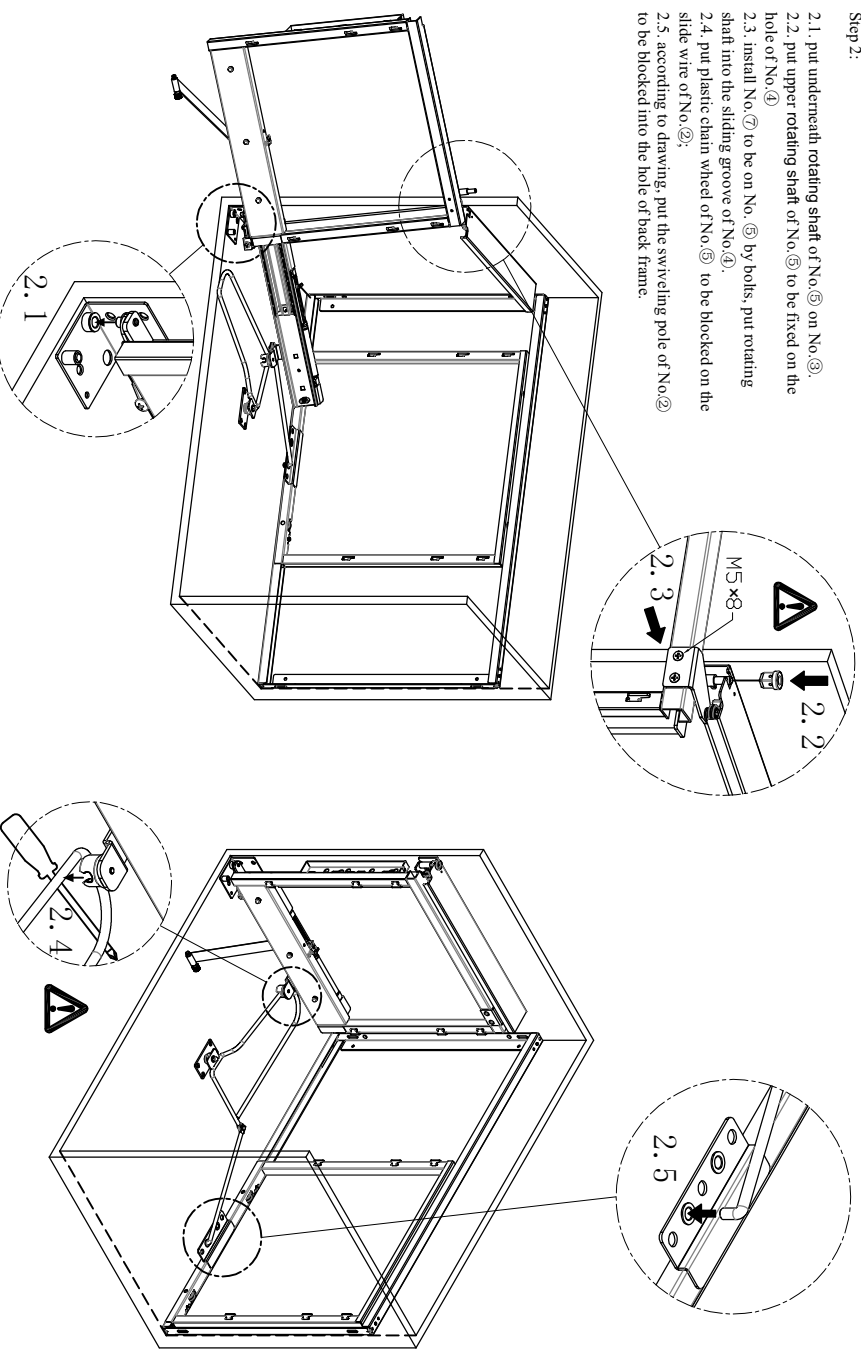
- 1.1. Install No.①; make it be fixed with back board and lateral board.
- 1.2. According to the size of drawing, install No.② to be fixed on the bottom board.
- 1.3. According to the size of drawing, install No.③ and No.④ to be fixed on lateral board.



D	A	B	C
500~510	320	384	488~498
515~525	325	389	503~513
530~550	330	394	518~538

#### Step 2:

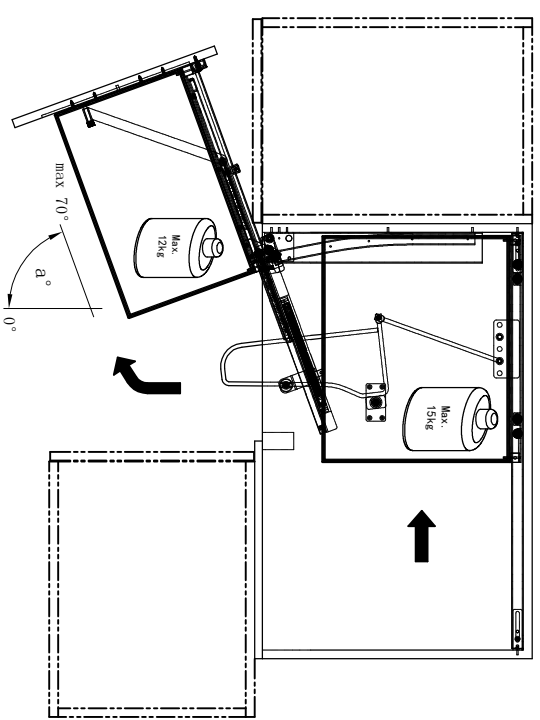
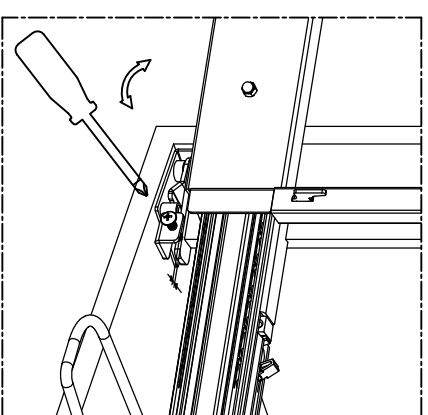
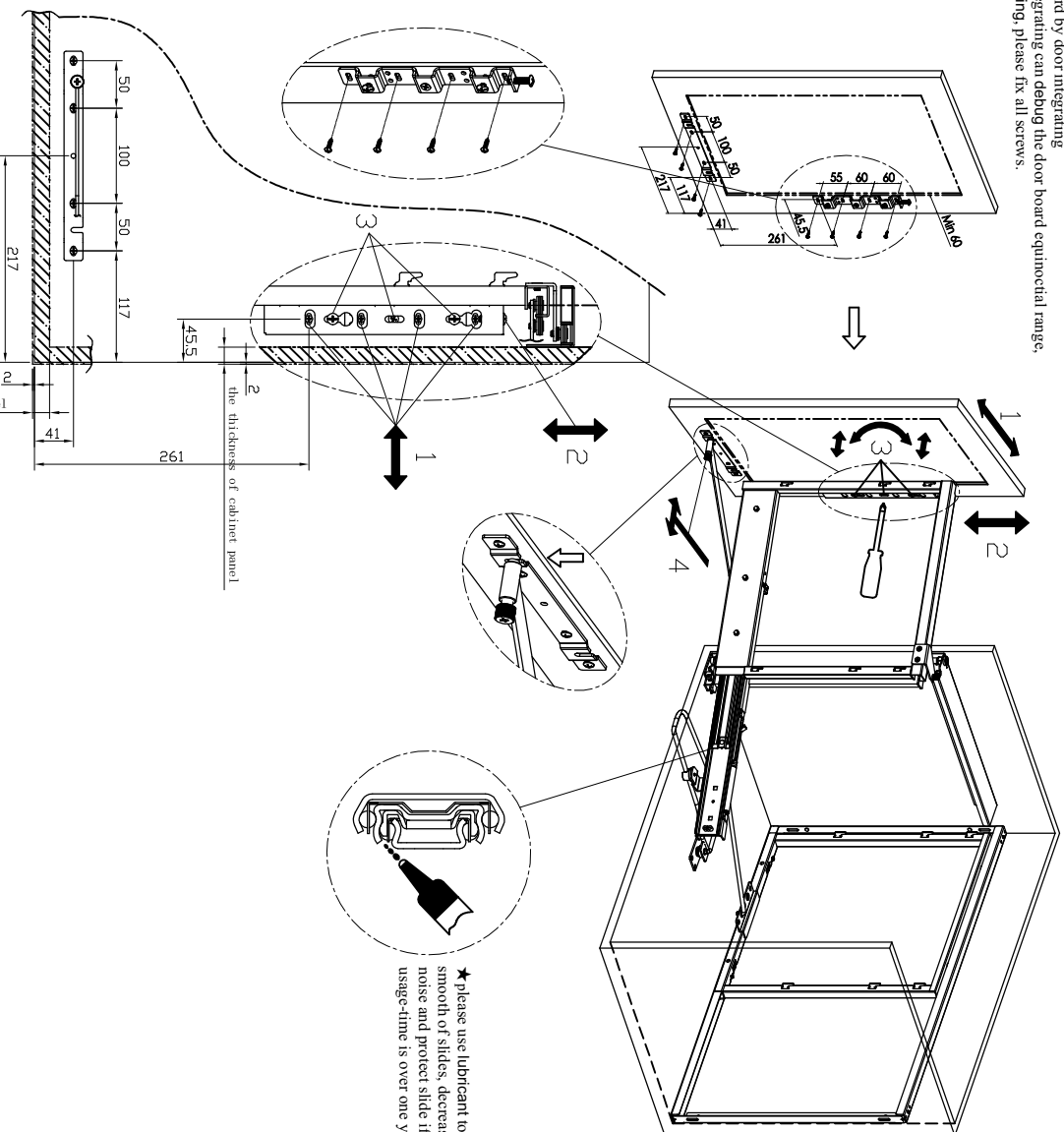
- 2.1. put underneath rotating shaft of No.⑤ on No.③.
- 2.2. put upper rotating shaft of No.⑤ to be fixed on the hole of No.④
- 2.3. install No.⑦ to be on No.⑤ by bolts, put rotating shaft into the sliding groove of No.④.
- 2.4. put plastic chain wheel of No.⑤ to be blocked on the slide wire of No.②;
- 2.5. according to drawing, put the swiveling pole of No.② to be blocked into the hole of back frame.



# Intallation instruction for WB2106SL

Step 3:

- 3.1. According to the size of drawing, make the bolt hole of door boards, and install accessories of door integrating.
- 3.2. door integrating can debug the door board equinoctial range, after debugging, please fix all screws.



Assembly Manual And Use&Care  
For Your Migic Corner Basket

the thickness of cabinet panel

the thickness of cabinet panel