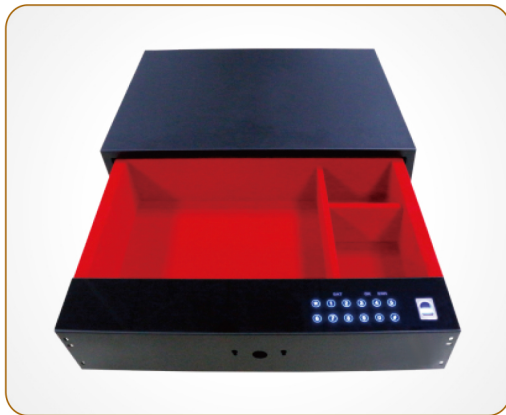


---

Product Instructions

---

Digital electronic safe



**WS4138.FP**



**WS4138**

Thank you for using our products, please read the instructions carefully before installing.

Instructions and spare keys do not put in the safe

All rights reserved

# 1、 Product parameters

Model name: Digital electronic safe

Working power supply: 5# AA SIZE Alkaline 1.5V AA  
batteries 4 pieces

Working voltage: 3.5V-6.5V

Start mode: Gear motor + Mechanical transmission

Working temperature: -20°C to +70°C

Relative humidity: 30%RH~ 85%RH

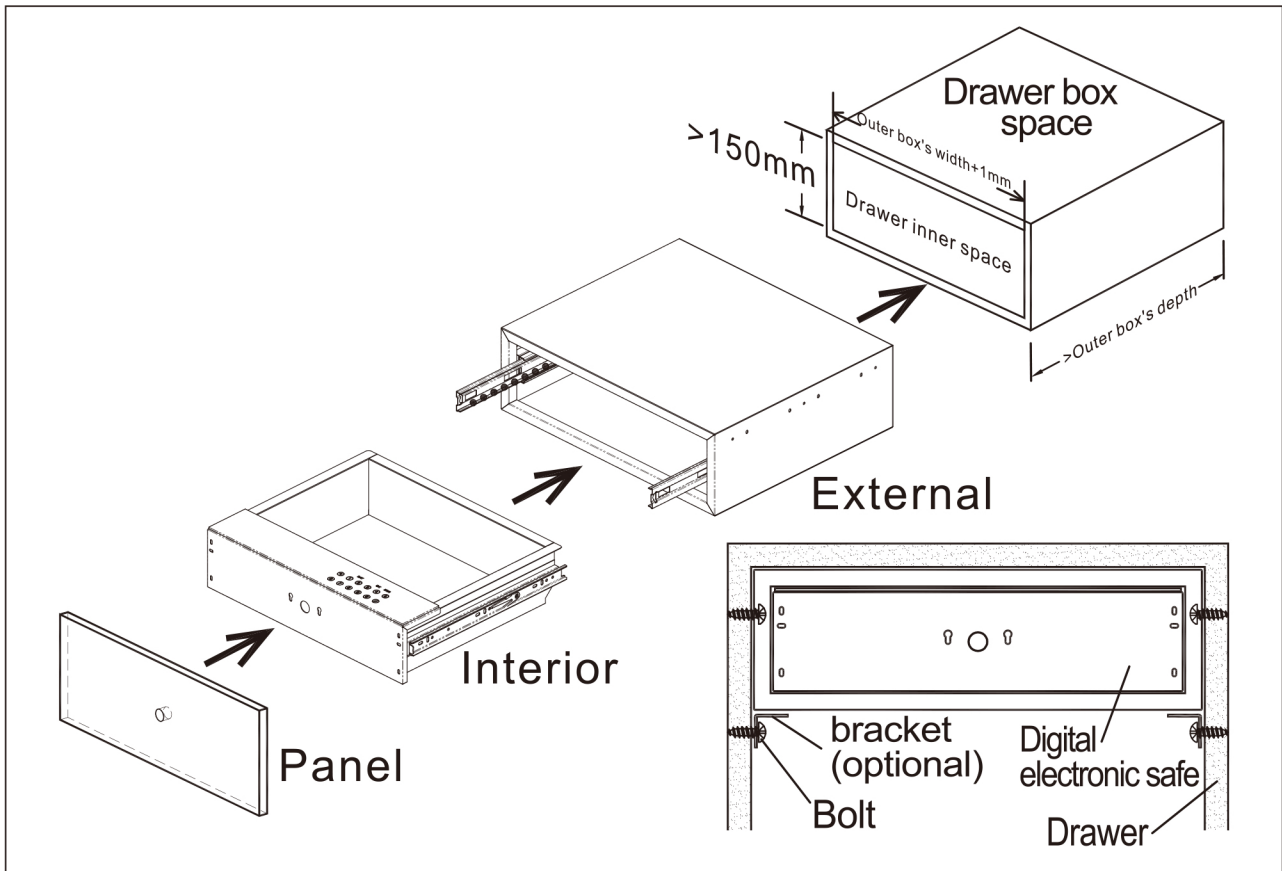
## 2、 Specifications:

Model NO.	Size (Width×depth ×height) (mm)	Installation Size (Width×depth ×height) (mm)	Remark
WS4138	564x400x150	564x400x150	Uncommon
WS4138. FP	564x400x150	564x400x150	Uncommon

### 3、Function part parsing

NO.	Function name	Parsing
①	<b>Internal Box</b>	With separate divisions, beautiful, neat and convenient.
②	<b>Touch-screen area</b>	Tempered touchscreen glass, touch to activate panel, (enter and set password) <b>BAT:</b> low battery; <b>OK:</b> Password is correct. Initial password: *1234#; <b>ERR:</b> Password is wrong, wait 3 sec to enter again
③	<b>Reset hole</b>	Press the “RESET” button for 5 seconds to reset password. (RESET position is near the “OK” button.)
④	<b>Battery case</b>	Place the power battery. ( Note that the positive and negative directions.)
⑤	<b>Push-pull slide</b>	Quiet, smooth, high quality, thickening material three ball bearing slide.
⑥	<b>Spare key</b>	In the case users can not open with electronic mode, you can use the key to unlock, but the key need to be safe kept elsewhere. (* Don't put the key into the drawer *)
⑦	<b>USB port</b>	Standby power plug (* no battery charging function*), you can use ordinary Mobile battery 3.7V to supply the drawer running.

# Product Assembly Instructions





## **4.Fingerprint function** (only suitable for WS4138.FP)

### **(1)Factory Reset:**

The initial password is \*1234 # and the fingerprint database is empty so any fingerprint can open the safe. It will be returned to above status when you press the reset button each time .

### **(2)The method of fingerprint record:**

- ★ Please press the reset button before using, then change the new password and input fingerprint.
  
- ★ The fingerprint record: Please input a new password on the touch screen area. When the "OK" is flashing 1 time and hear "Di" sound 1 time. And put your finger on the fingerprint sensor in 5 seconds. Fingerprint sensor will automatically record your fingerprint. The "OK" is flashing 1 time and listen "Di" sound 1 time mean record the system success. It can be continuous record the fingerprint and entered up to 100 fingerprints.  
Please be noted the "OK" is flashing 1 time and hear "Di" sound 1 time mean record the fingerprint success.  
The "ERR" light flashing 3 times and hear "Di" sound 3 times mean record the fingerprint failure.

## 5. Password function:

### (1) How to open the drawer:

Open the password drawer, touch any key to activate the panel, after the light is on and then enter " \* " input password ( initial password is 1234) # , you will see "OK" is on, then after a "Di" sound , drawer automatically open.

### (2) How to reset password:

Open the drawer and press the reset button(at the inner side), input "old password#" then "OK" will be flashing. Then input "new password#". Passwords can be between 4~6 numbers. Input "new password#" again. Password would be modified successfully if the screen is off. If it's unable to change, please press the reset button again and retry the above steps.

### Tips:

- (1) Password should be set with 4-6 digit codes.
- (2) If enter correct password, you will hear a "Di" sound 1 time and "OK" will flashing 1 time.
- (3) If enter the wrong password, "Err" will light on and flashing 3 time, in the mean time will hear "Di" sound 3 time.
- (4) If enter a wrong password, please re-enter " \* correct password".
- (5) After changing the password , please make sure the new password works before closing the drawer.

## 6、 Installation steps:

- (1) **Installation bracket:** In accordance with the reserved installation location, install the box bracket at the bottom of the box;
- (2) **Separate the drawer :** Separate the box and the drawer: take the drawer out of the box, please be careful and not to damage the inside of the drawer lock and electrical parts, do not touch the lock and other parts;
- (3) **Install the outer box:** put the box on the bracket, measure the position of the drawer, from the inside of the box to screws the box, locking the outer box
- (4) **Insert the drawer :** Put inside the drawer, pay attention to align with the slide rail and push it slowly, don't push with strong. Drawer installation completed.
- (5) **Installation panel:** find the center line of the panel, from inside to install two screws, with distance 64mm, and then put the panel to the corresponding hole in the drawer ○ , close the drawer to check the panel and drawer position alignment , adjust the two screws to adjust the installation position of the panel, and finally from the drawer both sides secure the screws , lock the drawer.

## 7. NOTES

- ◆ After using the spare key, you need to turn the key back to pull out the key.
- ◆ Reminder: Please make sure that you unplug the power cord or spare key after ""using"" the backup power socket or the spare key to open the drawer to avoid any misuse damage;
- ◆ Touching any key to activate the system, then the drawer will enter into the operating state when the light is on. The drawer will enter power saving mode and turn off the screen if there is no operation for 10 seconds.
- ◆ Please close the drawer tenderly, don't close with strong force to avoid damage to the drawer structure.

## 8. Accessories:

- ✓ Case bracket (optional)
- ✓ Screws pack
- ✓ USB power line and specifications
- ✓ Spare key
- ✓ 5# battery 4 pieces



## 9. After-Sales Service:

Dear User,

Thank you for buying and using our product! In order to make our service more satisfying, please read this warranty card carefully and take good care of it. ( Warranty period is one year).

Below situations do not belong to the free service scope:

- ❖ The products beyond 12-month-warrant.
- ❖ Equipment damage caused by self - dismantling and repairs by others instead of authorized distributor.
- ❖ The products damaged by usage , maintenance and keeping not under instruction.
- ❖ Do not have warranty card, invoice , production date and product qualification certificate.
- ❖ Unilateral amendment of the warranty card is not allowed and the warranty will be void because of information alteration.
- ❖ The product model number on the warranty card does not match with the product model number.
- ❖ Damage caused by violence or the force majeure factor.

