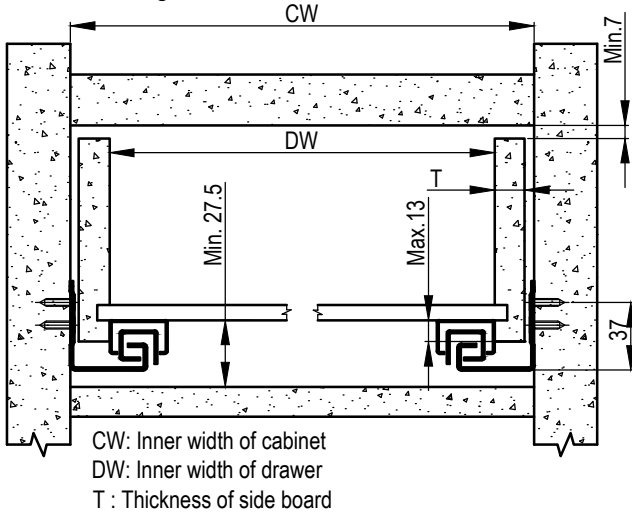


Installation Instruction of Full-extension Concealed Slide with Synchronized System

Loading Capacity: 30 KG

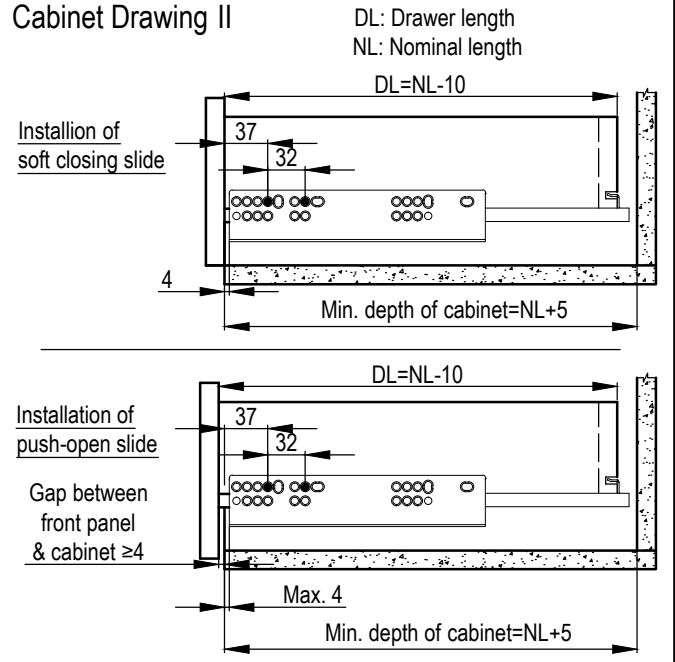
Side Board Thickness of drawer: ≤16, 18 mm

Cabinet Drawing I

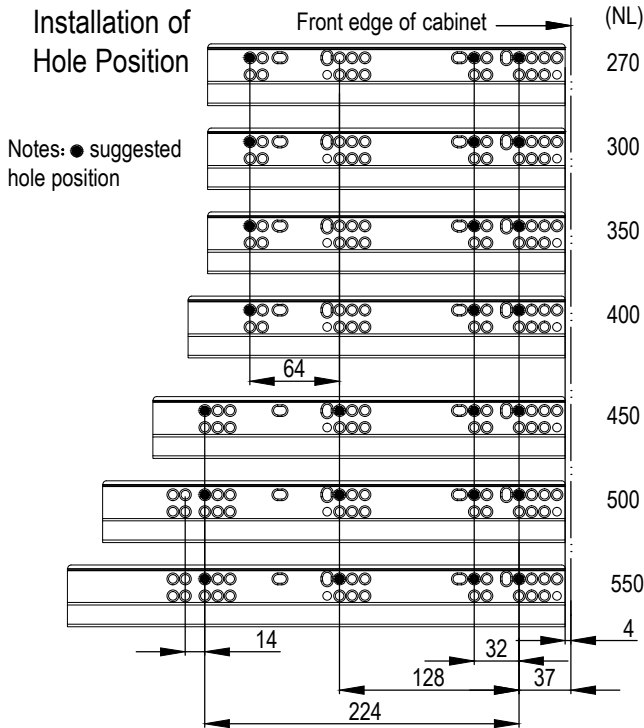


T	DW	For example
≤16	=CW-42 ⁰ _{-1.5}	CW=564 and DW=522~523.5
18	=CW-46 ⁰ _{-1.5}	CW=564 and DW=518~519.5

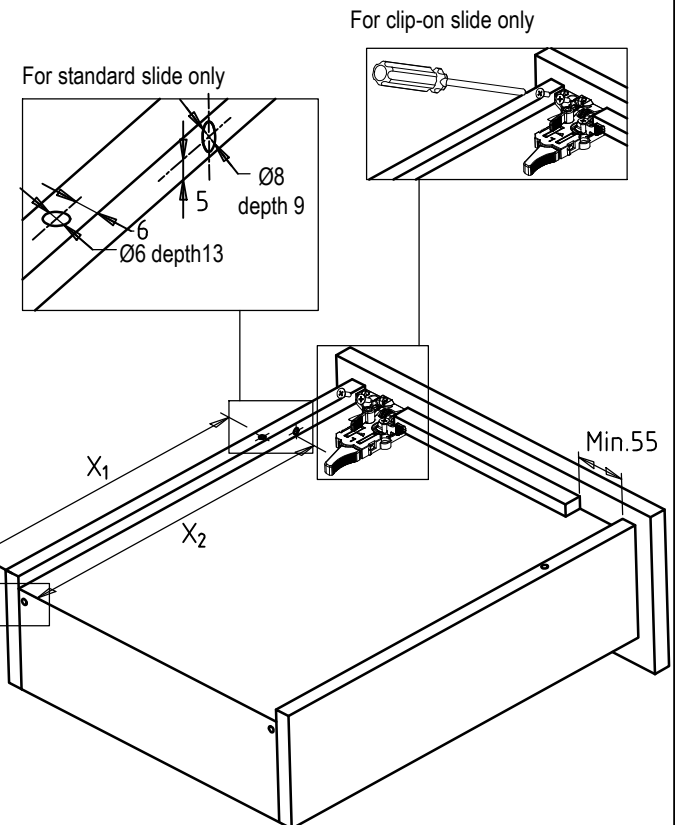
Cabinet Drawing II



Installation of Hole Position



Processing Drawing of Drawer



NL	X ₁ (mm)	X ₂ (mm)
250	205	225
270	205	248
300	230	275
350	275	320
400	300	376
450	335	421
500	360	466
550	405	511