

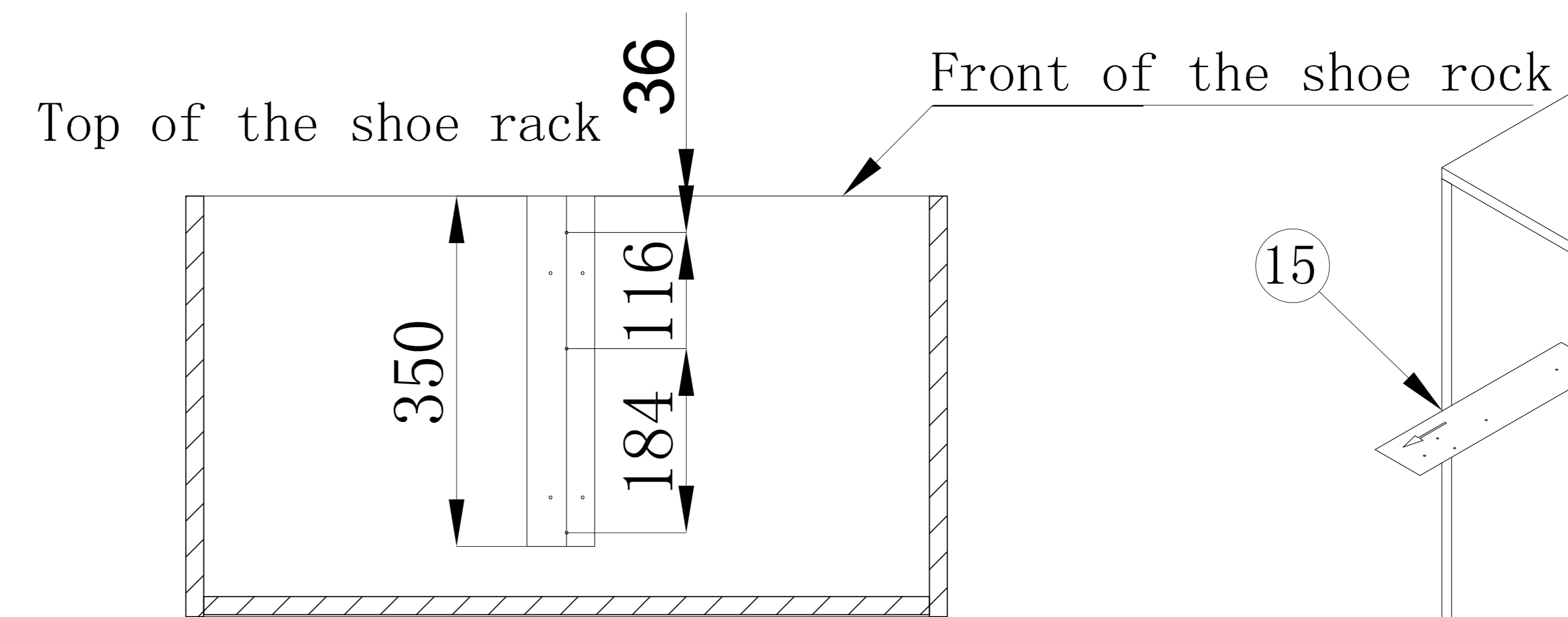
Installation instruction for WS4518C/G

Installation Steps

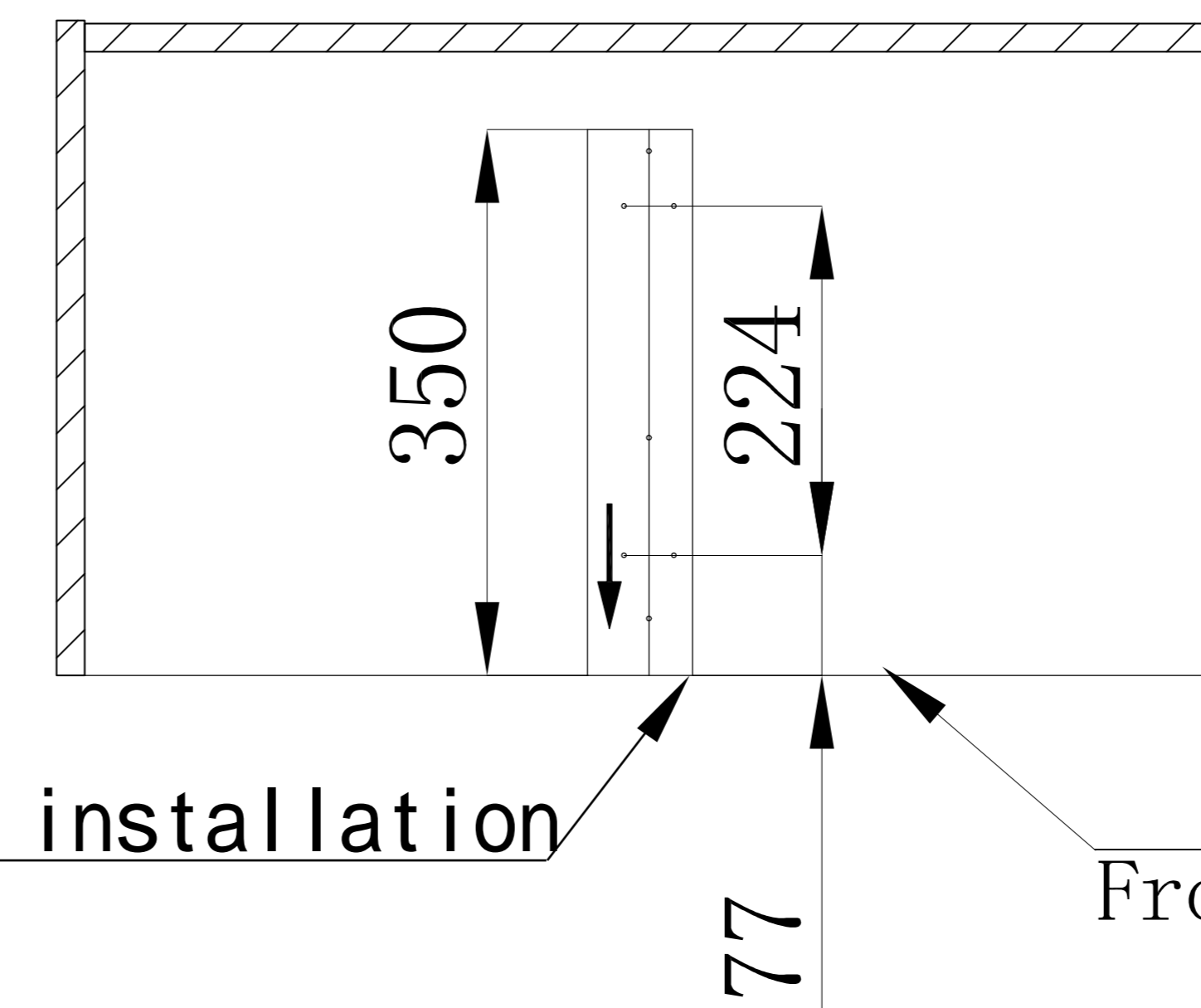
Installation steps 1:

1.1 As shown, place 1:1 mounting cardboard (15) and mark with a pencil at the position of the round hole.

Bottom panel for the shoes rack



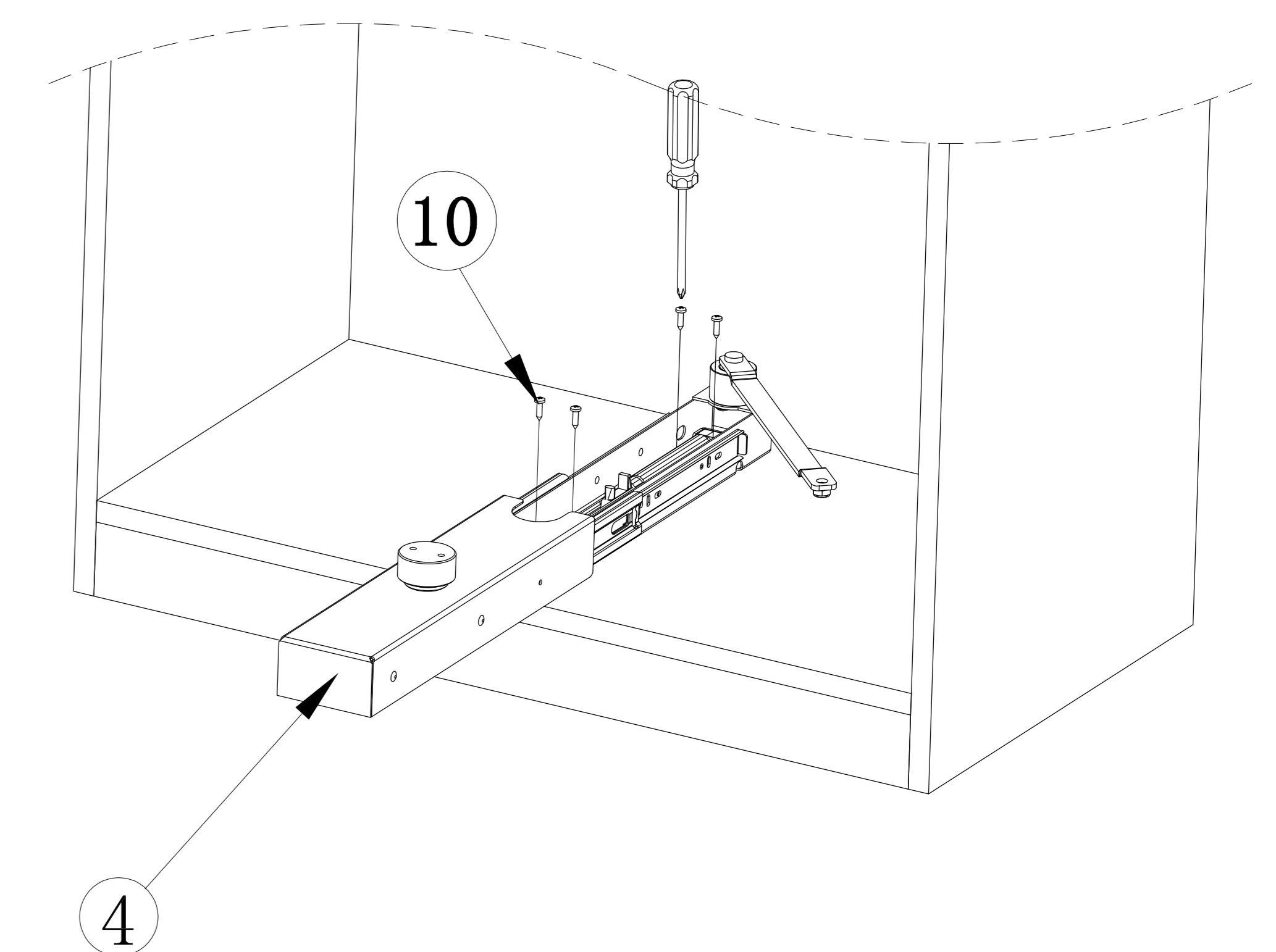
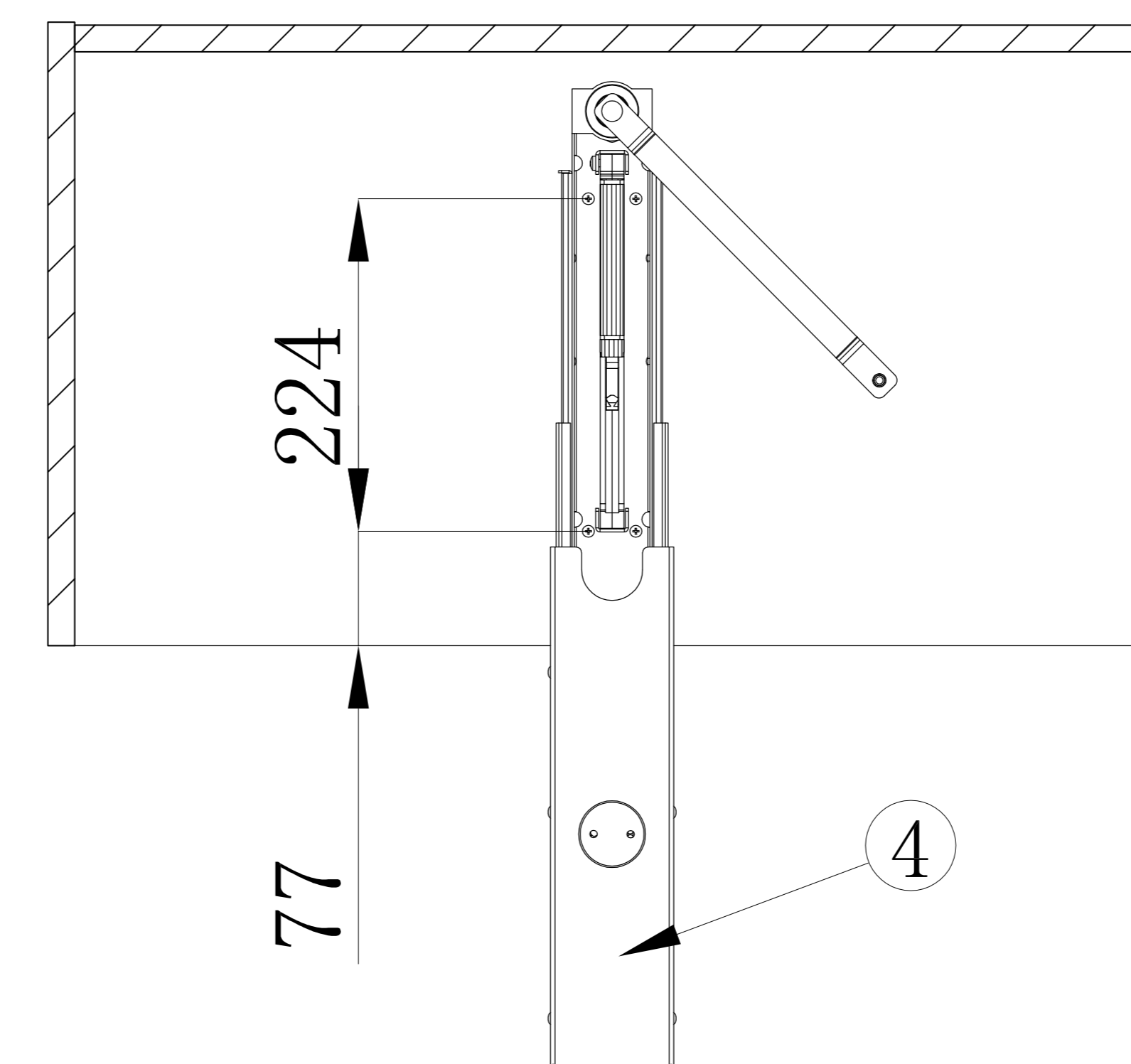
Bottom of the shoe rack



Middle installation

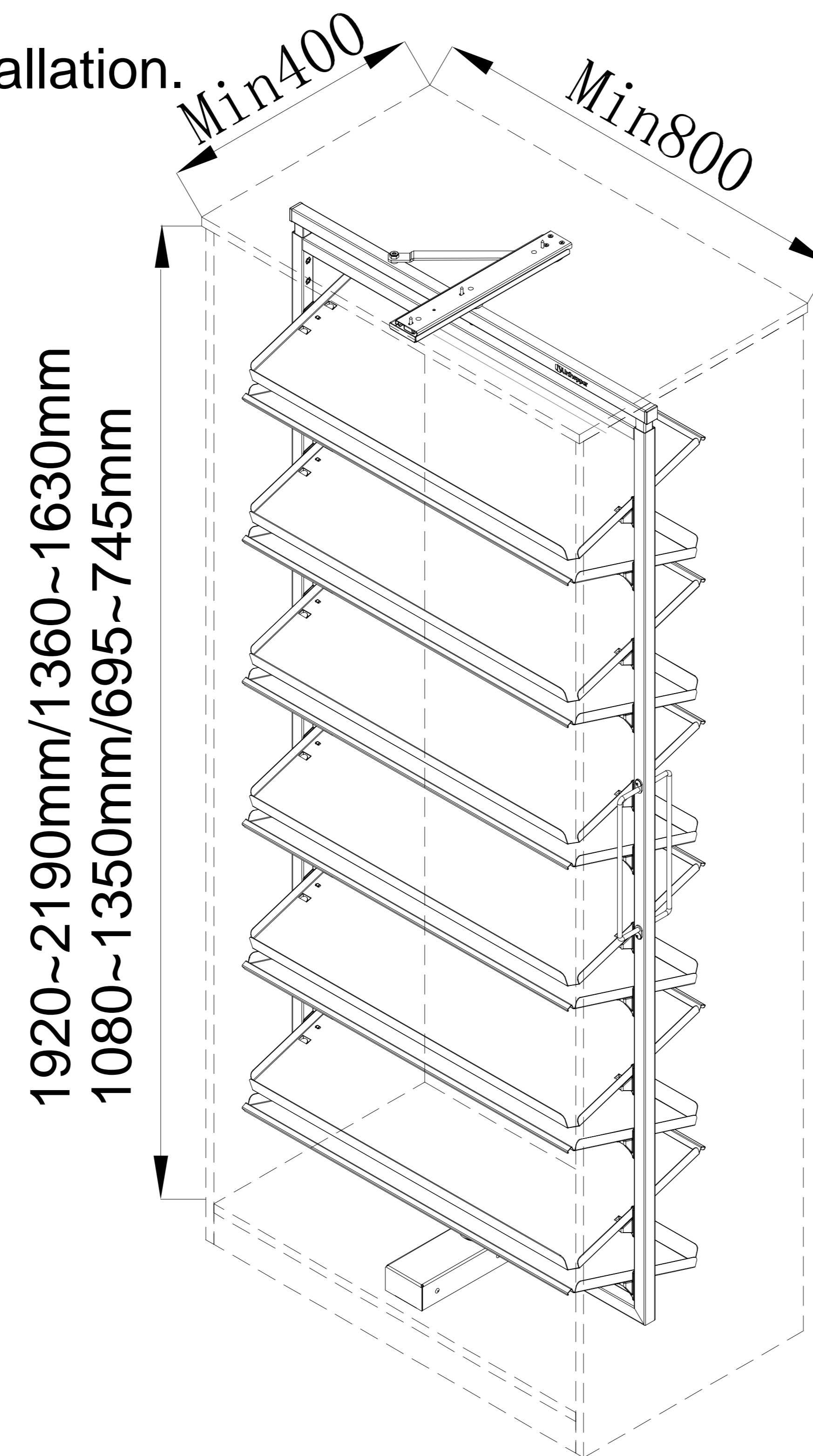
Front of the shoe rack

1.2 Take out 1:1 mounting board, place the lower rail set (4), align the mounting holes drawn in step 1, and install the lower rail set (4) under the bottom panel with four screws (10)



Notes:

- Please read this instruction carefully before installation.
- This instruction is workable for 12(8/6/4) layers rotating shoes rack.
- Cabinet size requirements:
 - width 800mm, depth 400mm, thickness of side panel is 16~18mm
 - suitable height for 12 layers: 1920~2190mm
 - suitable height for 8 layers: 1360~1630mm
 - suitable height for 6 layers: 1080~1350mm
 - suitable height for 4 layers: 695~745mm



Accessory List

① 1. Rotary shoe rack main frame	② adjustable frame	③ Panel		④ Lower rail set		⑤ Upper rail set		⑥ handle	
1 pc	1 pc	12/8/6/4 psc		1 pc		1 pc		2 pc	
⑦ Panel bracket	⑧ M4*8	⑨ M6*35	⑩ ST4.2*16	⑪ M6	⑫ M8	⑬ spanner	⑭ Allen key	⑮ 1:1 mounting cardboard	
4/6/8/12set	4 pcs	2 pcs	10 pcs	2 pcs	1 pc	2 pcs	1 pc	1 pc	

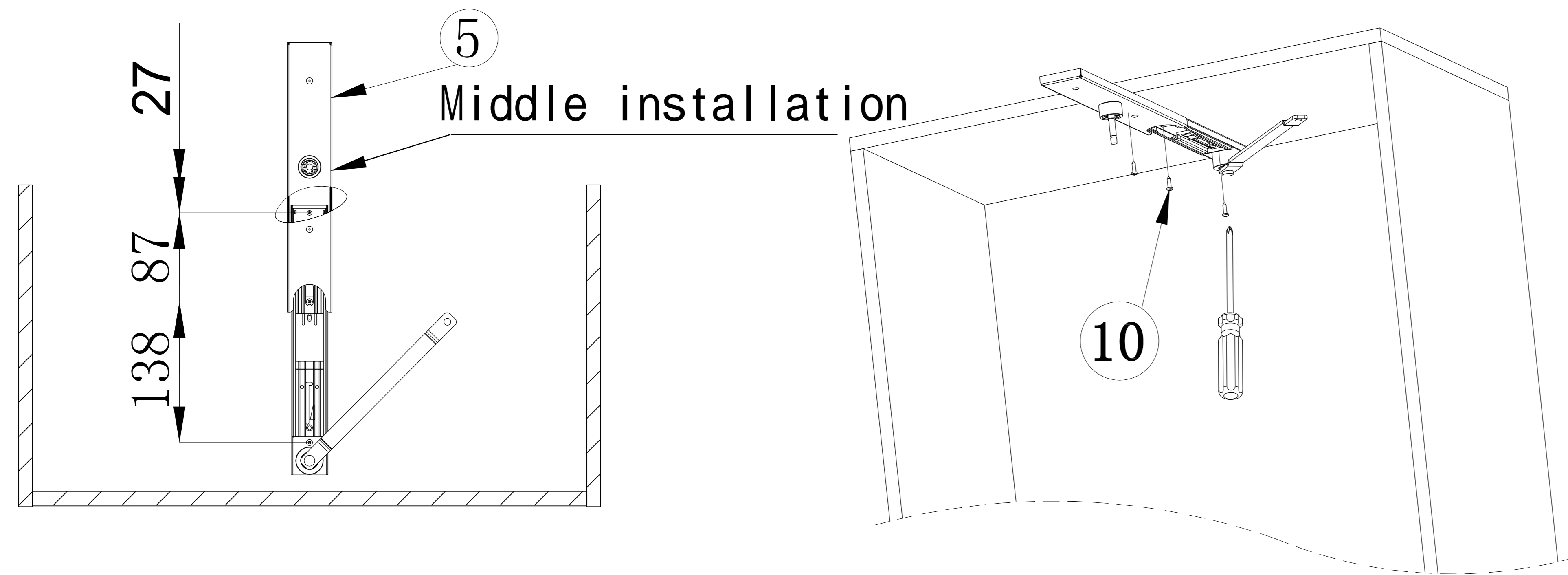
Installation tools preparation: 1 cross screwdriver, 2 pencil

Rotating shoes rack maintenance

- No pull or push the shoe rack with violence.
- Reasonably storage of shoes, and each layer suggests to put no more than 4kgs shoes.
- Children are not allowed to stand on it.
- Avoid scratches by sharp materials when cleaning.
- Avoid small granules going inside to destroy the slide system.

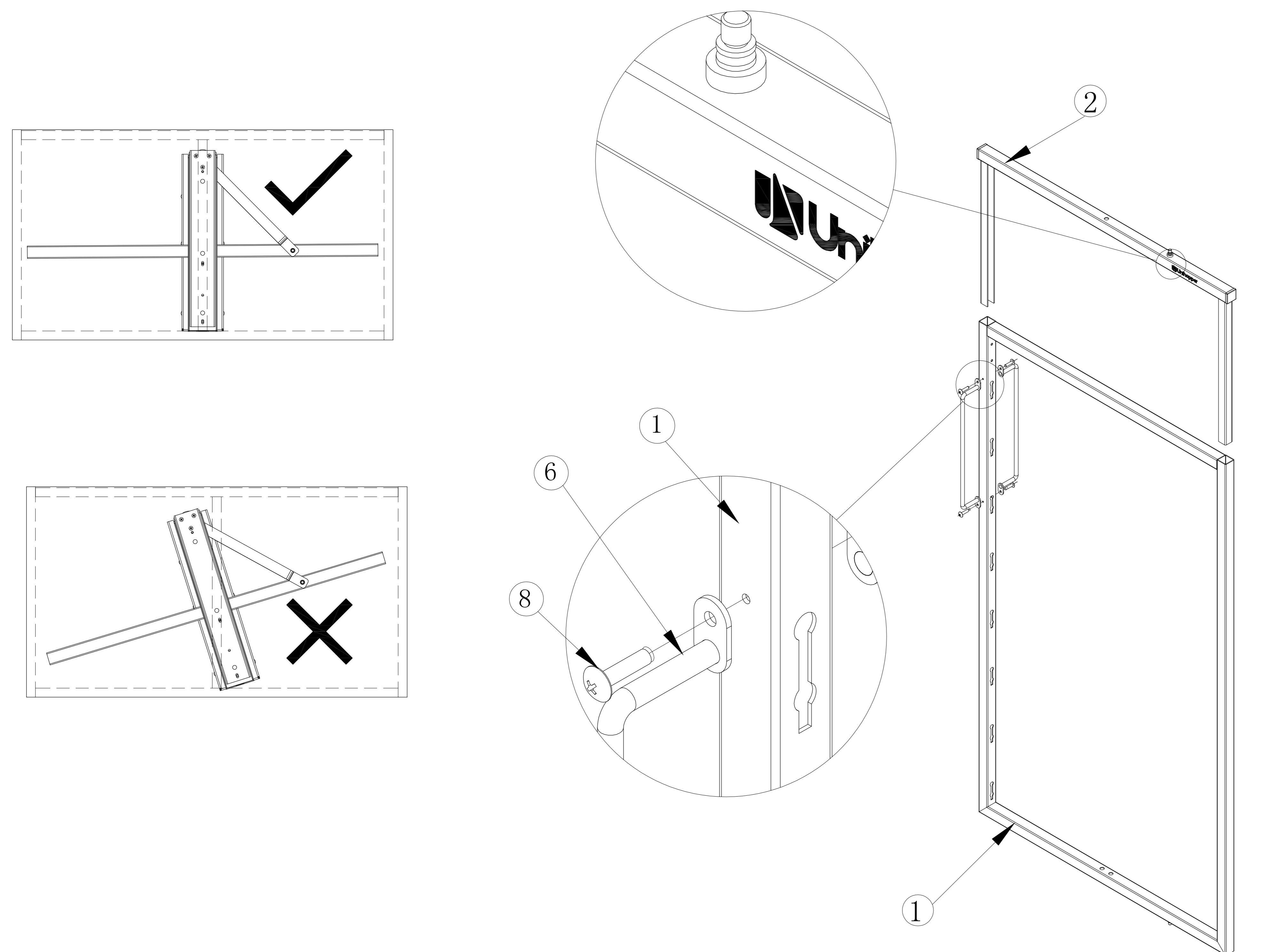
Installation step 2:

2.1 Align the mounting hole in step 1 with 3 screws ⑩, and install the upper rail ⑤ on the top of the shoe rack



2.2 Insert the adjustable frame ② into the main frame ①. The two screws shown in the figure below should be in the same direction, otherwise the rotary shoe rack can not be installed correctly.

2.3 Use four screws ⑧ to attach two handles ⑥ to the main frame ①.



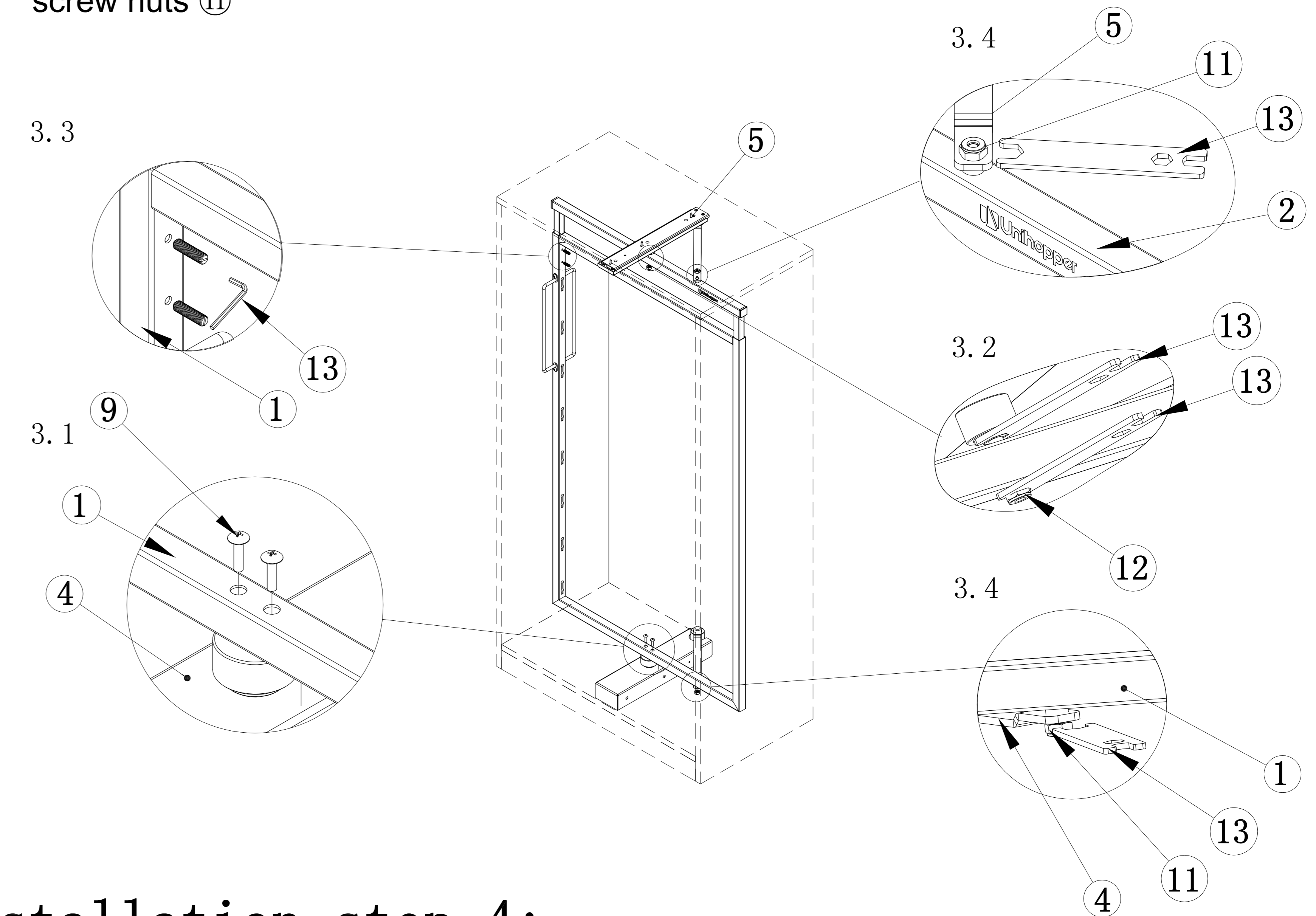
Installation step 3:

3.1 Use 2 screws ⑨ to install the main frame ① on the lower rail ④

3.2 Pull out the adjustable frame ②, install the upper rail ⑤, and fix it with a M8 screw nut ⑫

3.3 Use an inner hexagon spanner ⑬ to tighten the set screws in the main frame ①.

3.4 Put the pendulum bar of the upper rail ⑤ and the pendulum bar of the lower rail ④ into the screws of the main frame ① and the adjustable frame ②, and fix it with M6 screw nuts ⑪



Installation step 4:

4.1 Install the panel brackets ⑦ on the main frame ①.

4.2 The panel ③ is mounted on the panel brackets ⑦ and then finish installing

