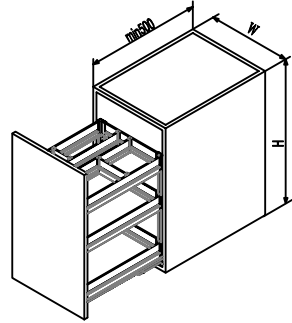


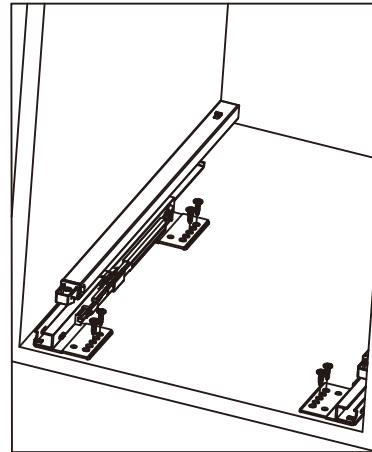
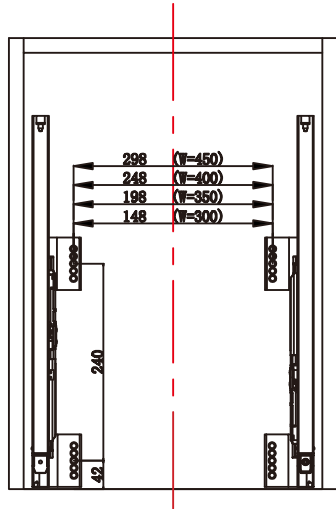
# Installation Instruction For WB2428S

**Notes:**

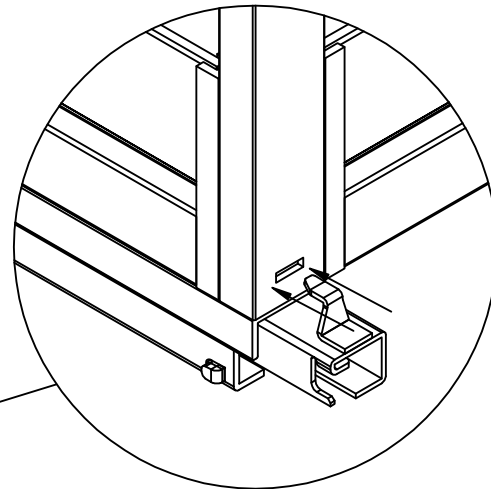
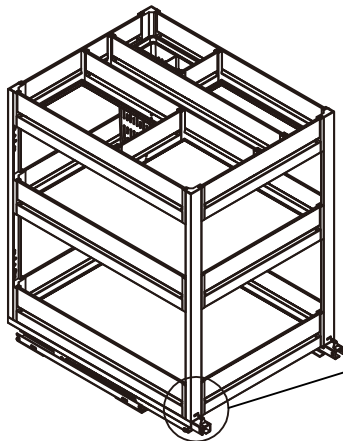
- 1、 please read the instruction carefully before installation;
- 2、 cabinet width is subject to product ,500mm, depth,600mm≤H,cabinet thickness16-18mm



**STEPS 1:**



**STEPS 2:**



**STEPS 3:**

