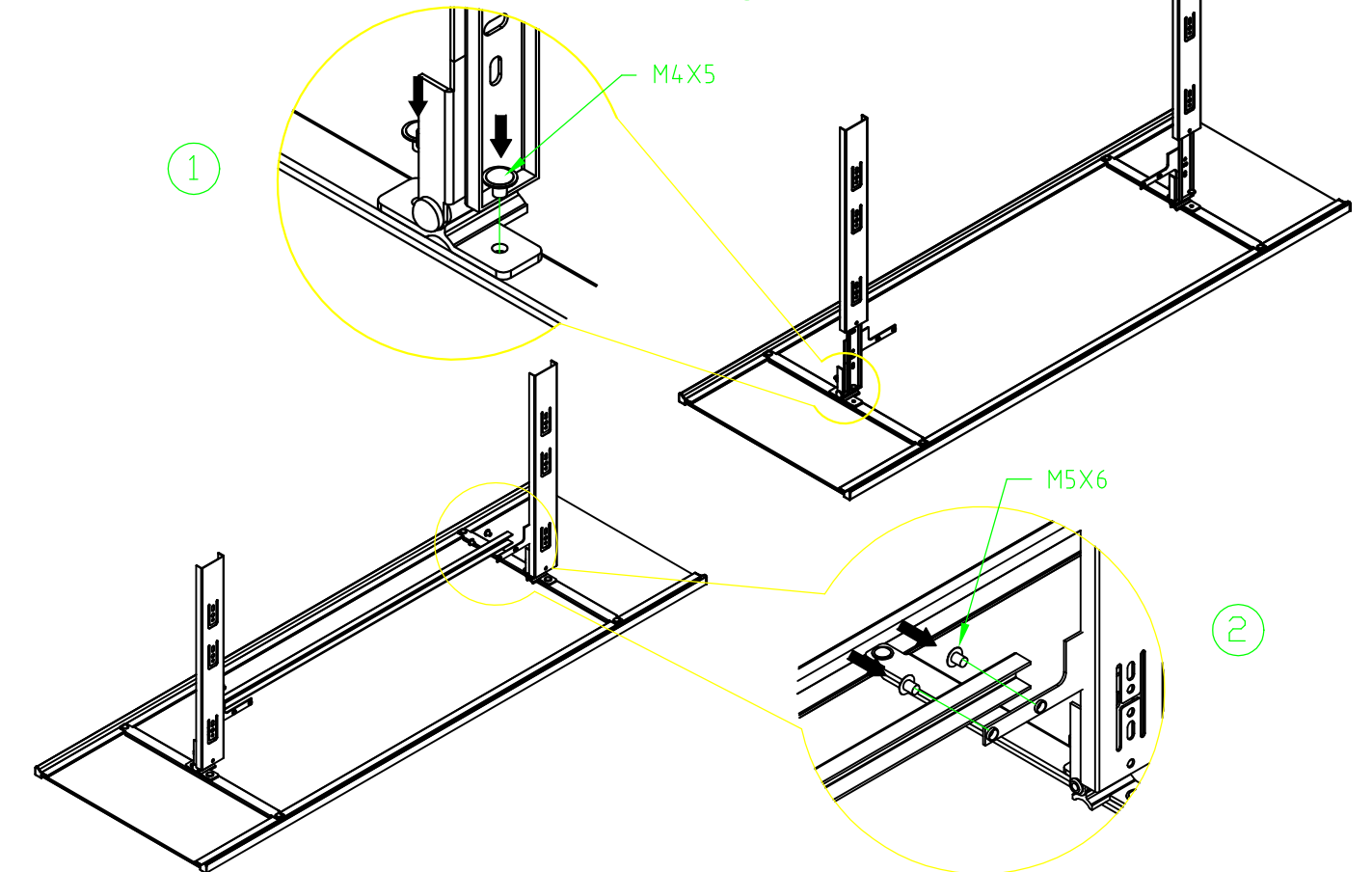


| Serial number | Part name | Number |
|---------------|--|--------|
| 1 | mirror | 1 |
| 2 | 14" slide | 1 sets |
| 3 | M5X6 cross recessed pan head screw | 4 |
| 4 | connecting bar | 1 |
| 5 | M4X5 cross recessed pan head screw with ring | 4 |

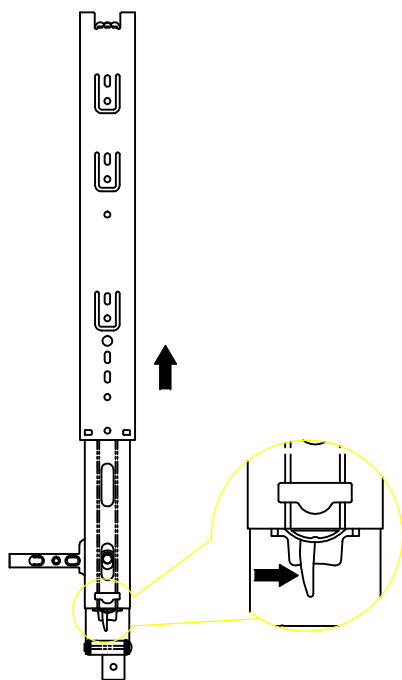
Installation of PT rotating mirror

1 Assemble the slide and connecting bar



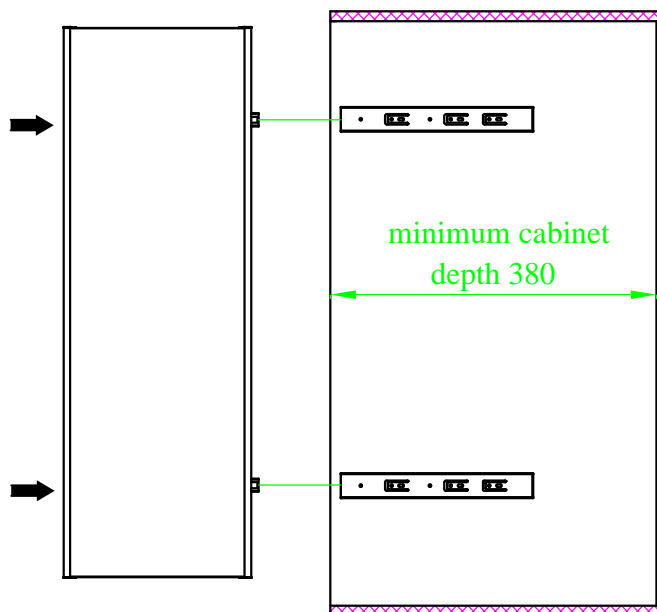
2

Stir the plastic lock and pull out the middle and outside runner



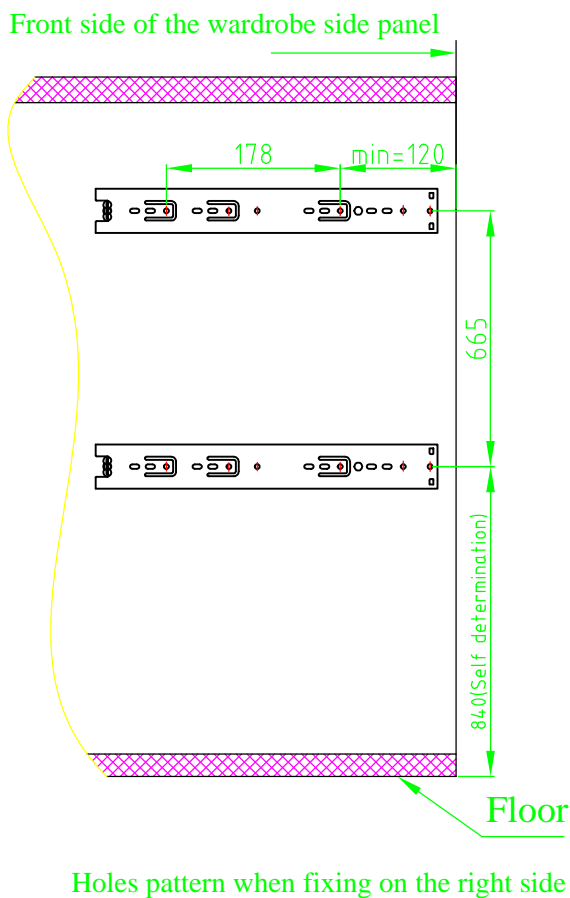
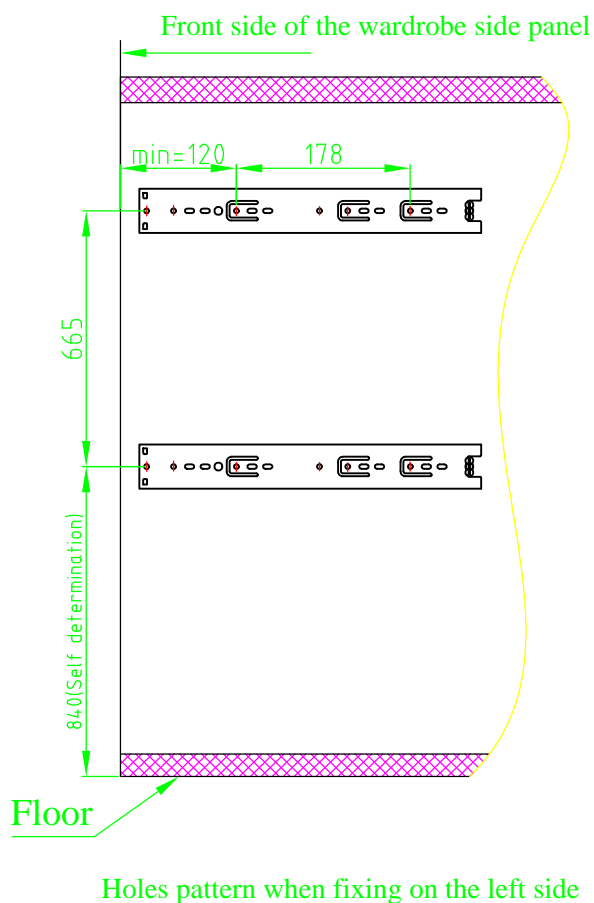
4

Align the mirror at the slide and fix it



3

Fix the middle and outside slide onto the side panel of wardrobe.



Cautions:

1. The slide is not smooth? The angle is not enough? Please check if the installation is correct, and if the upper slide and bottom slide is parallel, also if there is any dust inside the slide.