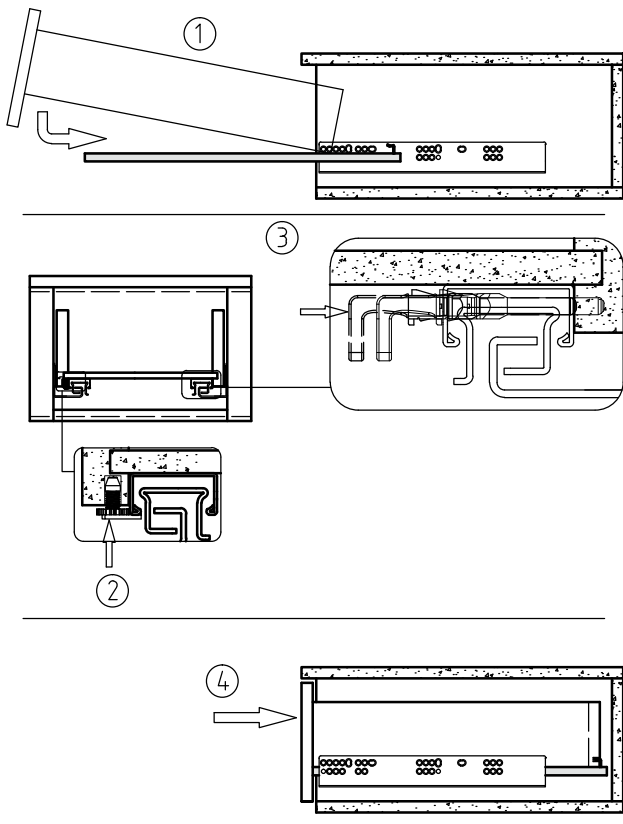
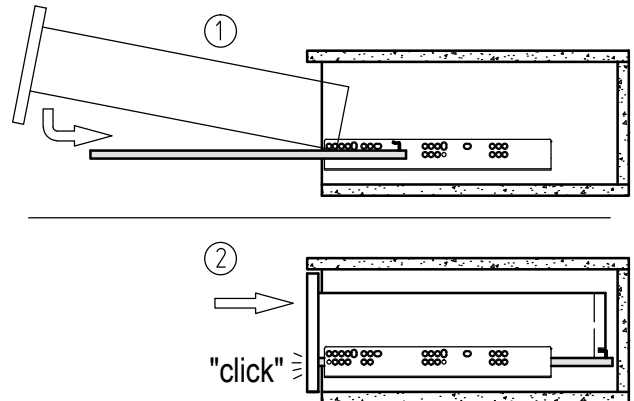


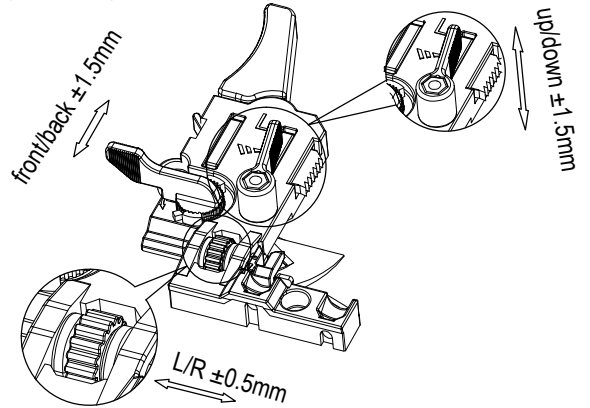
Drawer Installation (Standard Slide)



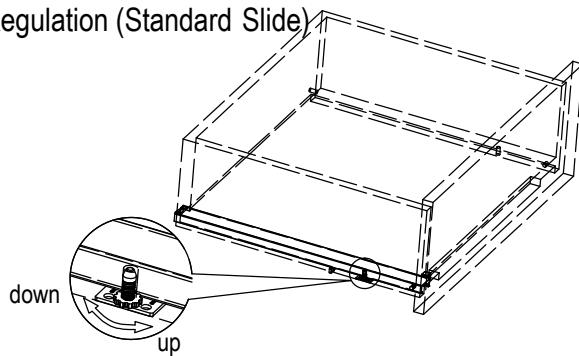
Drawer Installation (Clip-on Slide)



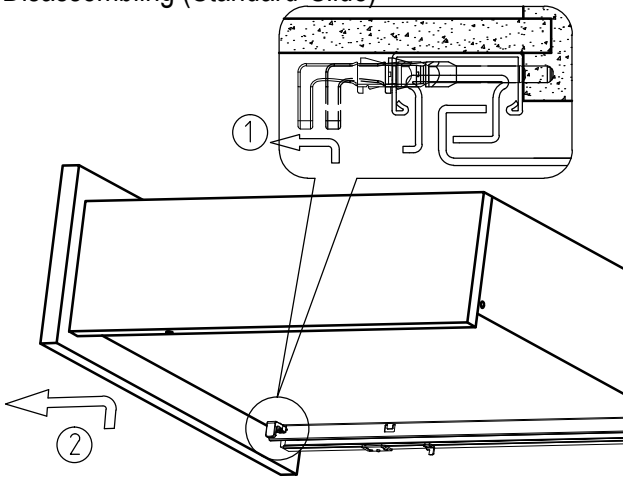
Regulation (Clip-on Slide)



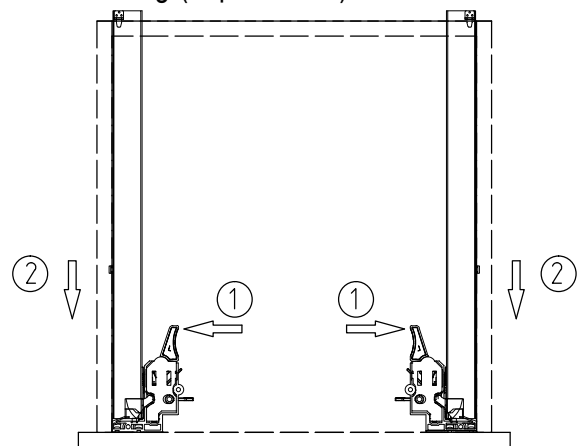
Regulation (Standard Slide)



Disassembling (Standard Slide)



Disassembling (Clip-on Slide)



Notes:

- a) Runner doesn't work steadily or pulse?
Keep slides away from wood chips or other scraps during installation.
- b) Runner doesn't work smoothly?
Make sure cabinet and drawer are up to the standard;
make sure cabinet and drawer are rectangular;
make sure slides at the same level;
- c) The clip-on function lost? Drawer can't close perfectly?
Make sure the slide at the right position on the fore-and-aft direction;
- e) Drawer can't be disassembled?
Make sure clip-on handle is open and locking pin is pull out.
- ※ f) Push open space is not enough?
Make sure the cabinet and slide are horizontal.
- ※ g) Drawer can't push open?
Make sure push-open gap is more than 4mm.

Notes: ※ for push-open concealed slide only.