







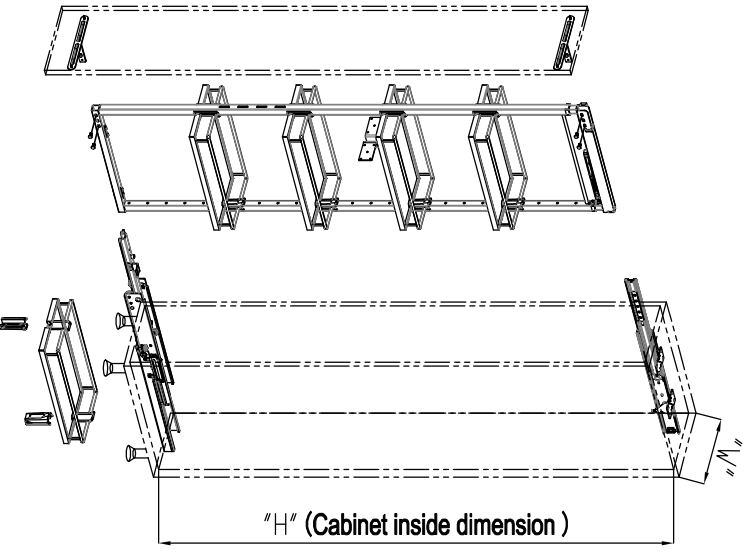


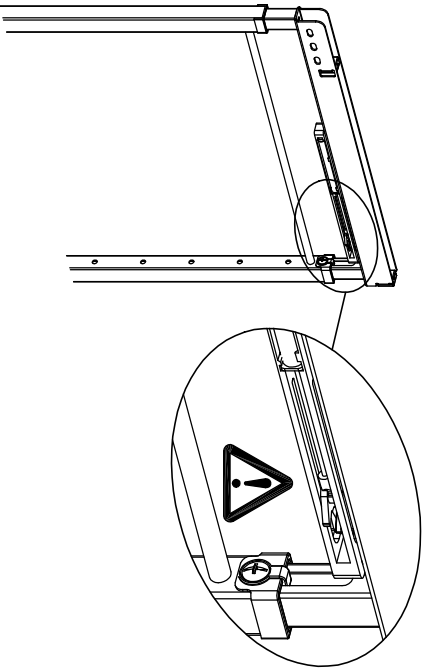
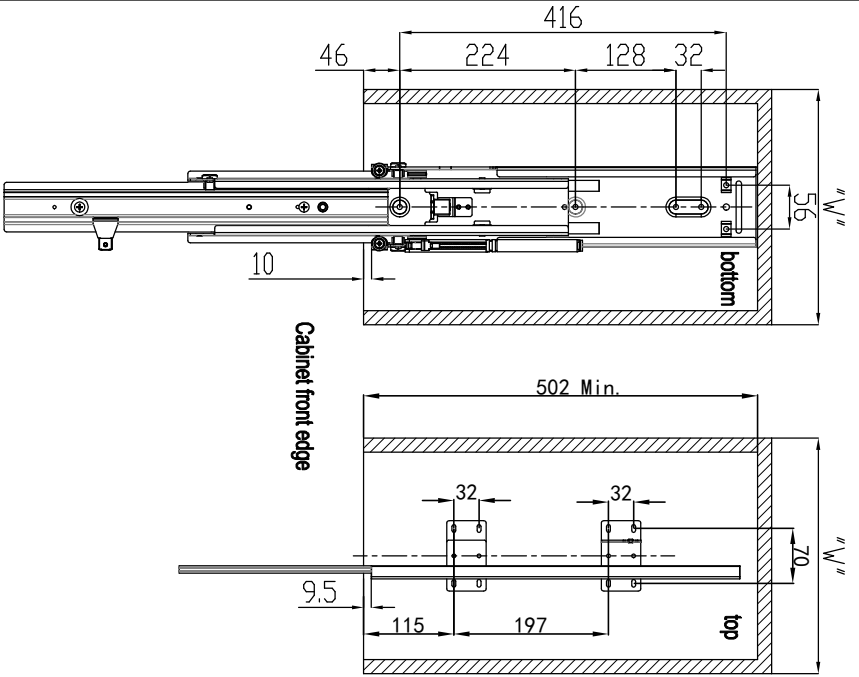
Installation instruction for WB1205S

1			Optional for bracket Quantity (see chart)	6	1 pcs
2		Quantity (see chart*)	8	8	STM x 16 30 pcs
3		1 pcs	9	9	ST x 20 6 pcs
4		2 pcs	10	10	STM x 40 2 pcs
5		1 pcs			

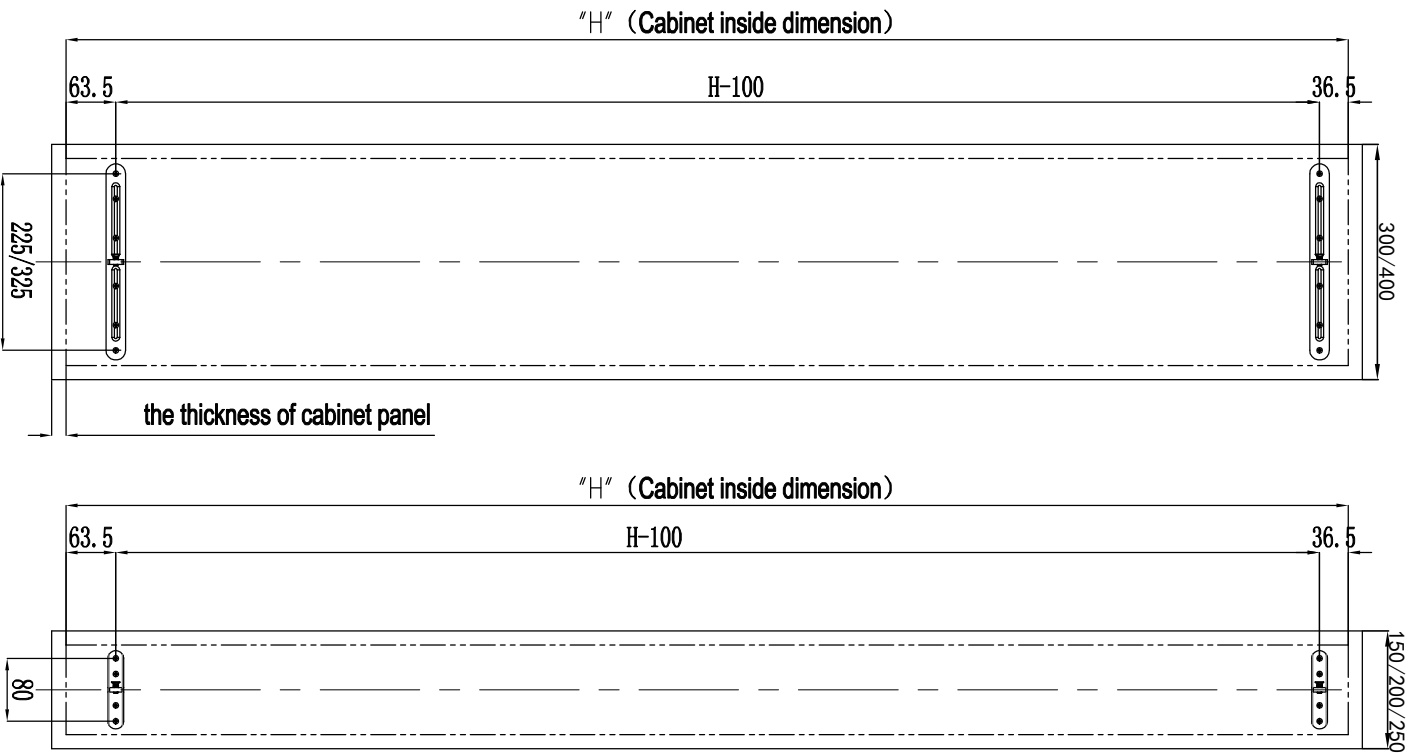
Item No.	Type	"W"	"H"		
WB1205S 015E	Sliders	150		6 pcs	12 pcs
WB1205S 020E	Sliders	200	(1964~2260)	6 pcs	12 pcs
WB1205S 025E	Sliders	250		6 pcs	12 pcs
WB1205S 030E	Sliders	300		6 pcs	12 pcs
WB1205S 040E	Sliders	400		6 pcs	12 pcs
WB1205S 015D	Sliders	150		5 pcs	10 pcs
WB1205S 020D	Sliders	200	(1650~1950)	5 pcs	10 pcs
WB1205S 025D	Sliders	250		5 pcs	10 pcs
WB1205S 030D	Sliders	300		5 pcs	10 pcs
WB1205S 040D	Sliders	400		5 pcs	10 pcs
WB1205S 015C	4layers	150		4 pcs	8 pcs
WB1205S 020C	4layers	200	(1264~1560)	4 pcs	8 pcs
WB1205S 025C	4layers	250		4 pcs	8 pcs
WB1205S 030C	4layers	300		4 pcs	8 pcs
WB1205S 040C	4layers	400		4 pcs	8 pcs



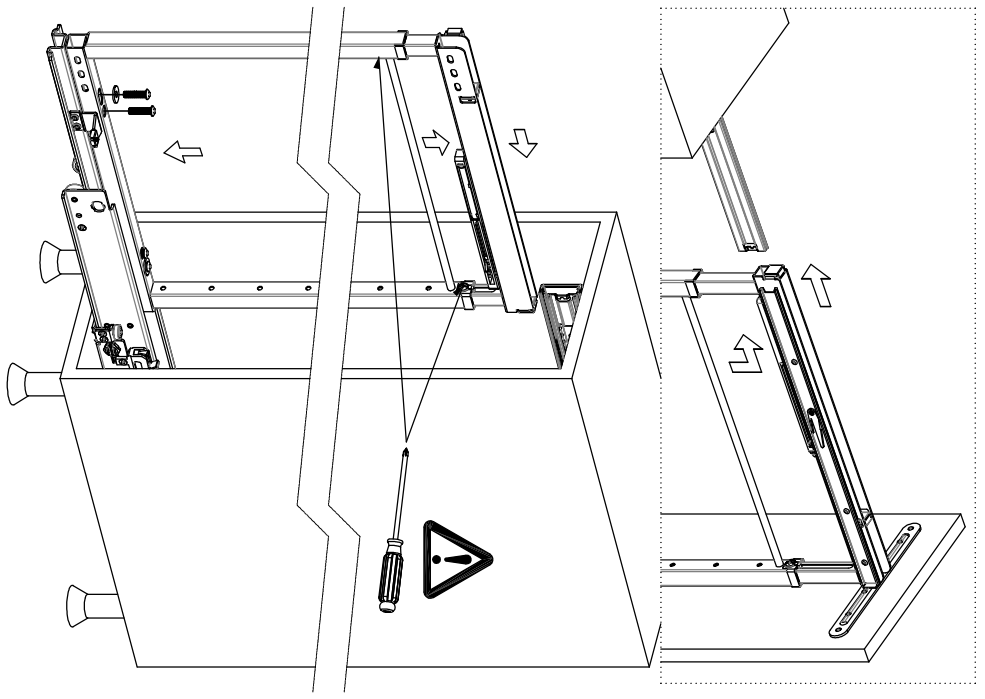
1、Installing top and bottom slide



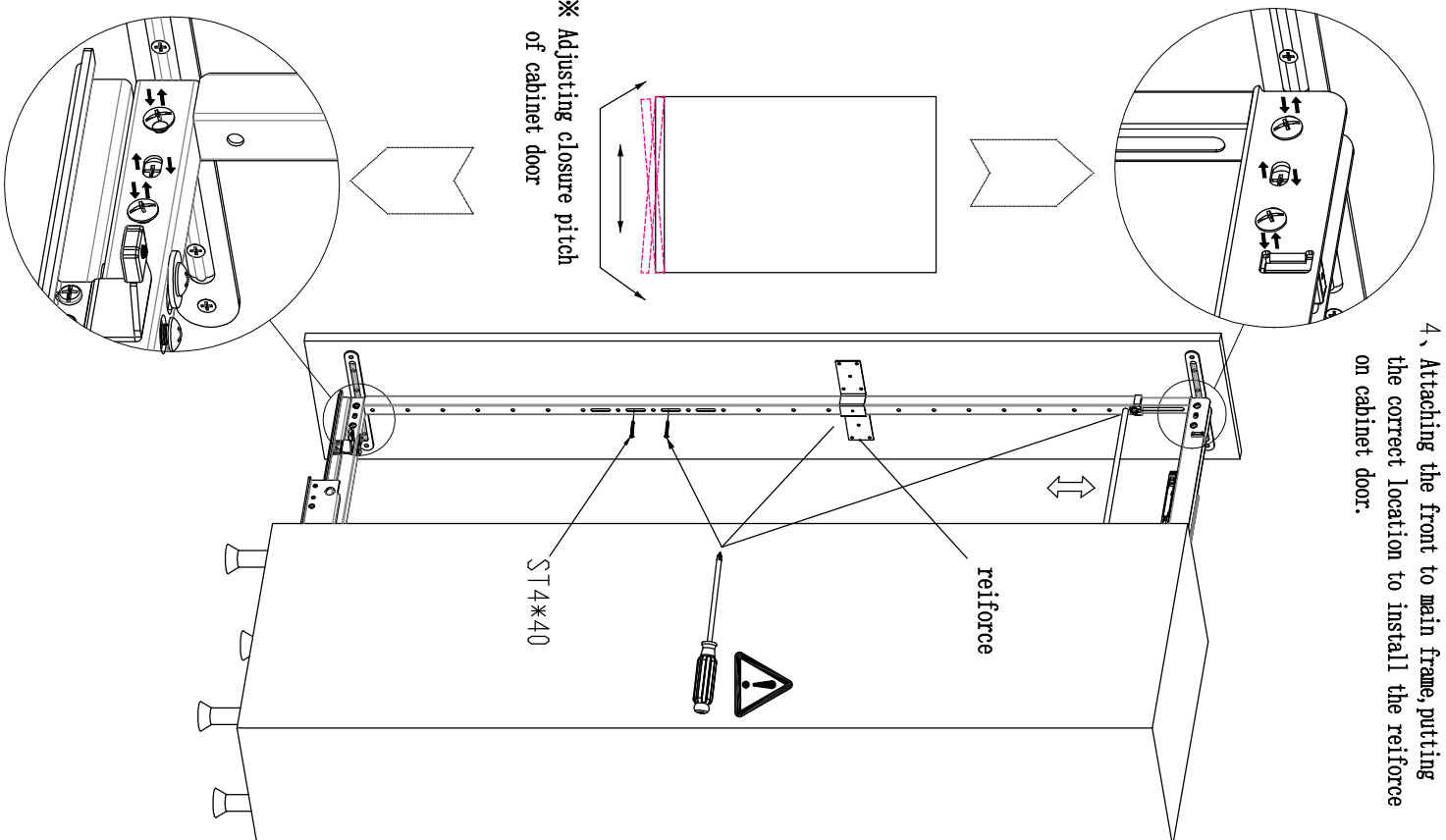
2、Installing the front strips on cabinet door



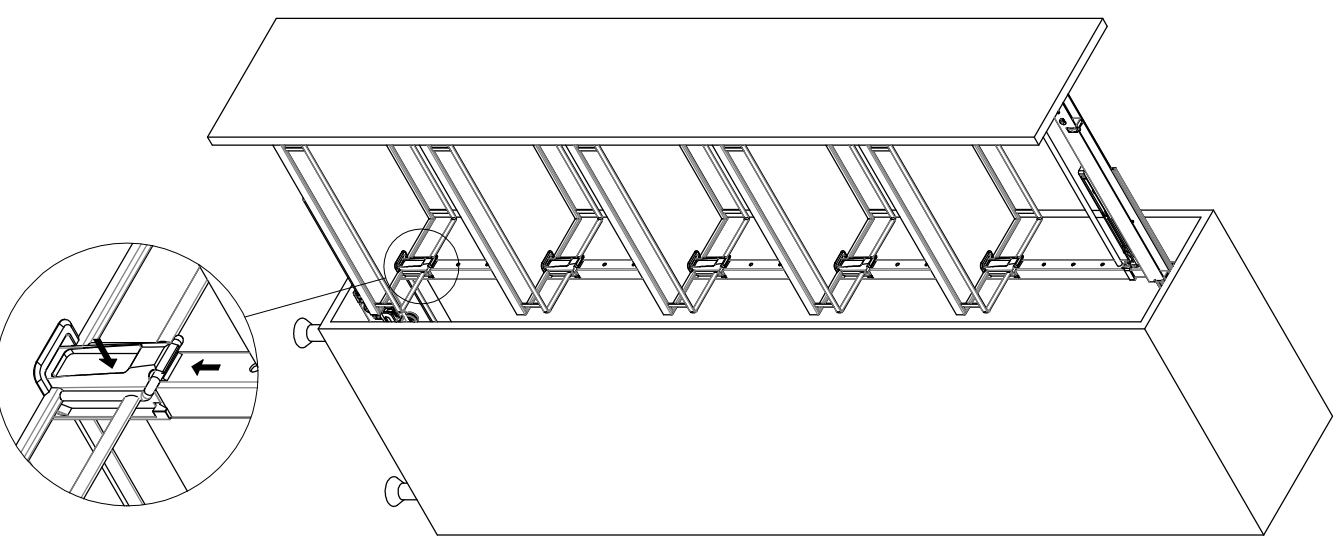
3, Attaching main frame to bottom and top slides



4, Attaching the front to main frame, putting the correct location to install the reinforce on cabinet door.



5, Inserting the baskets, AS drawing. Adjusting closure pitch of cabinet door then retighten all screws firmly.



※Adjusting closure pitch of cabinet door

